

# Installation Guide

## PS-500NPS-2

### Saddle Bracket Mount



The PS-500NPS-2 provides a load rated structural hang point designed to accommodate 1/2NPS and 1/2NPT pipe. The saddle can be hung from 1.5" up to 2" diameter pipes, box truss or tubes.

Ideal applications include but are not limited to theatres and studios.

#### Contents:

Be sure that all of the following items are included in this kit before proceeding:

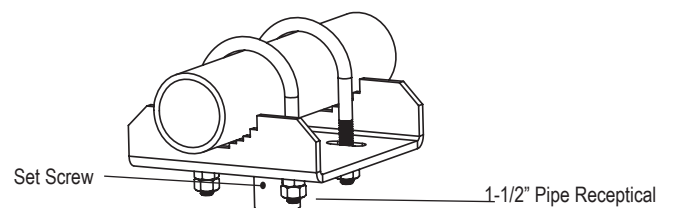
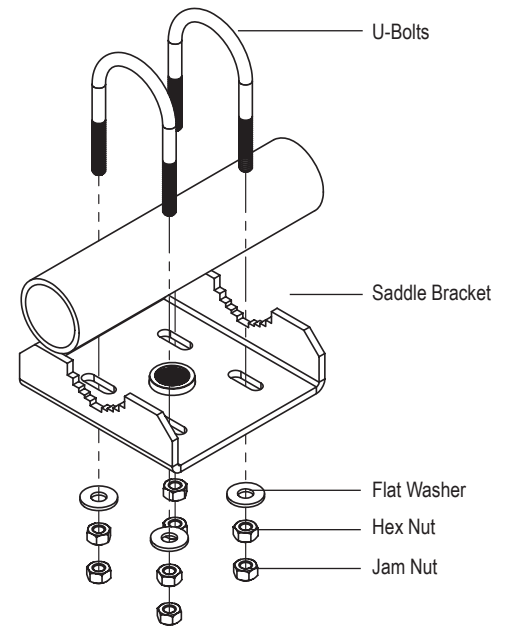
- 1 pcs. Saddle Bracket Assembly
- 1 Bag Hardware Kit

#### Installation Procedure:

**Step 1:** Clamp pipe saddle to 2" pipe or truss chord with u-bolts. Secure with flat washer and hex nuts. One each per side.

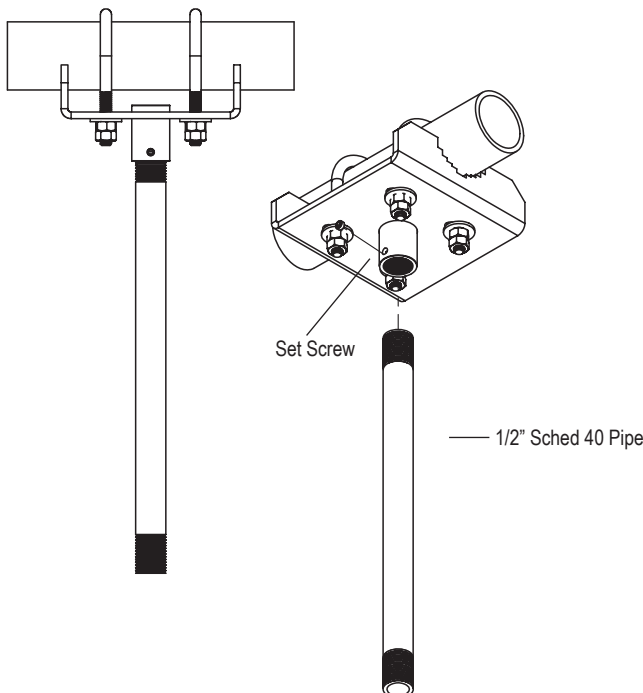
**Step 2:** Attach and fully tighten selected vertical pipe section and secure to saddle receptacle with supplied set screw.

**Step 3:** Complete installation of supported load then tighten u-bolt nuts again.



**Step 4:** Add jam nuts and tighten to each end of u-bolts.

**Step 5:** Re-Tighten set screw to vertical tube.



#### ALWAYS INSTALL SAFETY CABLES

**WARNING:** Mounting and/or suspension of audio and video equipment requires experienced professionals. Improperly installed loudspeakers can result in property damage, personal injury and/or liability to the installing contractor.