

QL-025

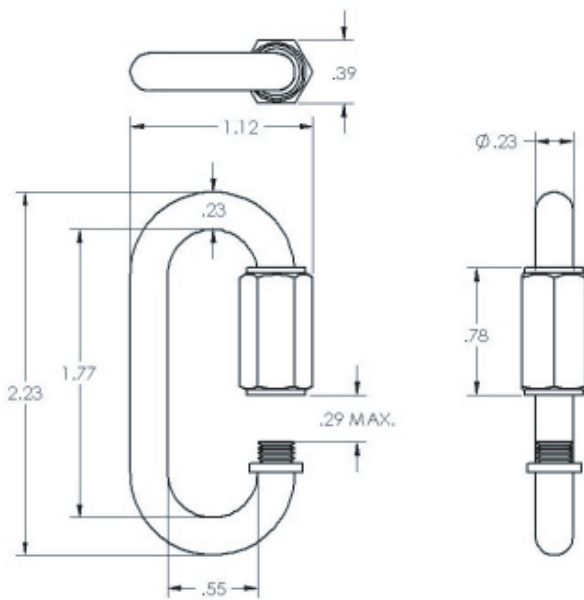
(880 lb. WLL)

1/4" QUICKLINK

QUICK LINK



QuickLinks join two closed-end items together, such as wire rope assemblies, turnbuckles and eyebolts quickly and easily. They offer significant working loads for their size and serve as convenient coupling devices for temporary installations but, because its side locking turn style has the potential to loosen over time, QuickLinks are not recommended for overhead use.



SPECIFICATIONS:

Diameter: 1/4"

Color: Black

Design Factor: 5:1 ratio

WLL: 880 lb / 400 Kg (VERTICAL)



Rated for indoor use.

ALWAYS INSTALL SAFETY CABLES

WARNING: Mounting and/or suspension of audio and video equipment requires experienced professionals. Improperly installed loudspeakers can result in property damage, personal injury and/or liability to the installing contractor.