

QL-375

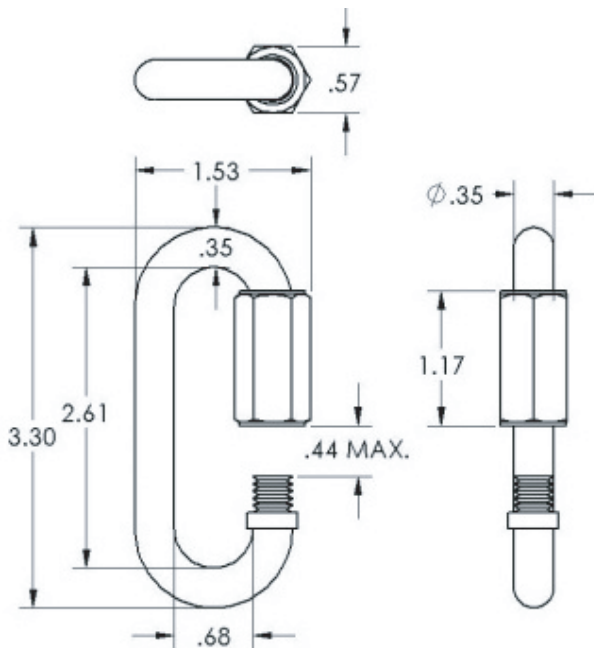
(2200 lb. WLL)

3/8" QUICKLINK

QUICK LINK



QuickLinks join two closed-end items together, such as wire rope assemblies, turnbuckles and eyebolts quickly and easily. They offer significant working loads for their size and serve as convenient coupling devices for temporary installations but, because its side locking turn style has the potential to loosen over time, QuickLinks are not recommended for overhead use.



SPECIFICATIONS:

Diameter: 3/8"

Color: Black

Design Factor: 5:1 ratio

WLL: 2200 lb / 1000 Kg



Rated for indoor use.

Adaptive Technologies Group
1635 E. Burnett Street | Signal Hill, CA 90755 USA
Ph: 562.424.1100 | Fax: 562.424.3520
www.adapttechgroup.com



ALWAYS INSTALL SAFETY CABLES

WARNING: Mounting and/or suspension of audio and video equipment requires experienced professionals. Improperly installed loudspeakers can result in property damage, personal injury and/or liability to the installing contractor.