

# SAS-036-RB

# 560 lb. WLL

## 36" RIGGING BEAM

## GridLink®



Rigging Beam with Lifiting Points

Use this rigging beam as one of several components to build a load-rated rigging grid assembly. Choose from several pre-engineered rigging beams, joiners and suspension options that allow you to design and assemble your own grid in dozens of different configurations (see GridLink data sheet). This rigging beam may also serve as a spreader bar to suspend objects between two trusses.



Assembled View

### STANDARD FEATURES:

- ▶ Use as a spreader bar
- ▶ Compatible with GridLink Rigging System
- ▶ Comes with suspension hardware

### OPTIONAL ACCESSORIES

- ▶ See SAS-GL Connector datasheet
- ▶ See SAS-GLT T-Connector datasheet
- ▶ See SAS-100-CA Cross Arm datasheet
- ▶ See SAS-EB-KT Eyebolt suspension datasheet
- ▶ See Steerables® Tilt Cable datasheet
- ▶ See SAS-XXX-RB Rigging Beam Selections

### SPECIFICATIONS:

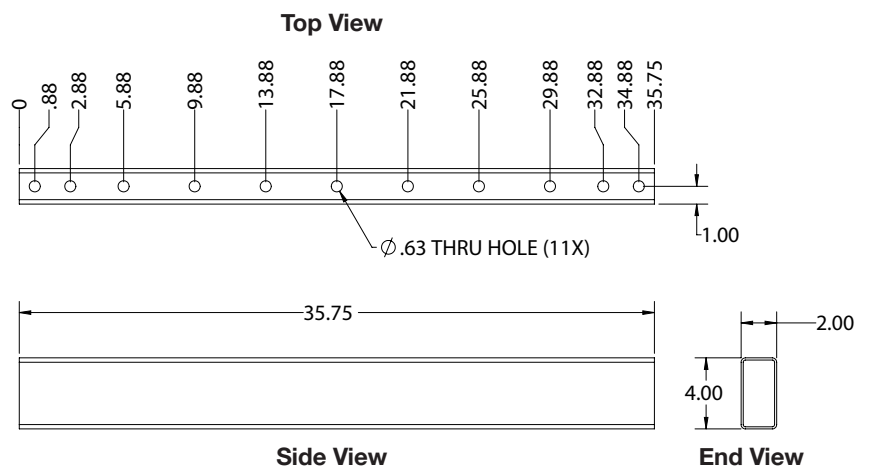
**Materials:** Structural Steel Alloy  
**Finish:** Powder Coat  
**Color:** Black  
**WLL:** 560 lb / 255 Kg  
**Safety Factor:** 5:1  
**Product Weight:** 16.5 lb / 7.5 Kg

### PACKAGE CONTENTS:

**1pc** 36" Rigging Beam  
**2 pcs** 1/2" X 5.5" Eye Bolts  
**2 pcs** 1/2" Eye Nuts  
**2 pcs** Black End Caps



Rated for indoor use.



### ALWAYS INSTALL SAFETY CABLES

**WARNING:** Mounting and/or suspension of audio and video equipment requires experienced professionals. Improperly installed loudspeakers can result in property damage, personal injury and/or liability to the installing contractor.

**Adaptive Technologies Group**  
1635 E. Burnett Street | Signal Hill, CA 90755 USA  
Ph: 562.424.1100 | Fax: 562.424.3520  
www.adaptivetechologiesgroup.com

