

# SAS-2WA-48

# 550 lb. WLL

## SUSPENSION & AIMING FOR TWO CABINETS

## SWIVEL BEAM®



The Two-Way-Array™ is an easy to fly, off the shelf loudspeaker aiming and suspension system. It forms simple two speaker clusters for small front-of-house applications and forms, left and right front-of-house clusters for larger venues.

The Two-Way-Array™ also serves as an excellent way to direct sound toward two levels such as at a balcony with one speaker and the floor level with the other speaker. Multiple vertical tiers of Two-Way-Array™ can accomplish the same for larger venues.

Ideal applications include theatres, churches, school auditoriums, gymnasiums and theme parks. Multiple hole placements allow for many combinations of dead hangs, down tilts and pan angles, depending on the specific sound coverage requirements for very precise aiming of sound.

### STANDARD FEATURES:

- ▶ Modular approach to 2 speaker arrays
- ▶ Independent pan and tilt adjustment
- ▶ Expandable horizontally and vertically
- ▶ Fast predictable set up and aiming
- ▶ Ideal for permanent and live sound applications
- ▶ Off the shelf, ready-to-ship to the job site
- ▶ Load-rated structural steel tubing and fittings
- ▶ CG dependent, no chasing of angles

### OPTIONAL ACCESSORIES:

- ▶ Steerables Tilt Cable system controls tilt angle
- ▶ Fixed width, U-Bracket controls tilt angle
- ▶ Expands horizontally with Gridlink™ Connector
- ▶ Add-on suspension eyebolt kit
- ▶ Bridle and suspension cables (standard and custom)

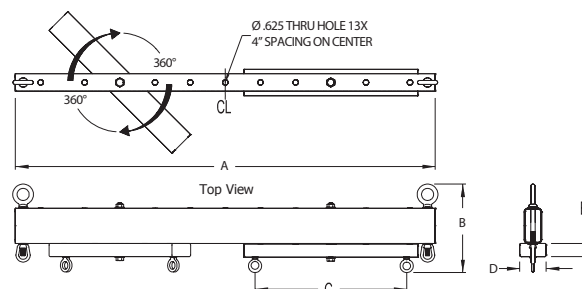
### SPECIFICATIONS:

**Material:** Structural steel alloy tube  
**Finish:** Powder coat  
**Color:** Black  
**WLL:** 550 lbs/250 Kg.  
**Design factor:** 10:1 ratio  
**Product Weight:** 36 lb / 16.3 Kg

### CONTENTS:

**1 pc. 48" or 66"** Suspension Beam  
**2 pcs.** Cross Arm  
**1 pc.** Hardware Kit  
**1 set** Load rated shackles and eyebolts

### DIMENSIONS:



Model#	A	B	C	D	E
SAS-2WA-48	47.75"/1213mm	9.26"/235mm	17.25"/438mm	3.00"/76mm	1.50"/38mm

### Adaptive Technologies Group

1635 E. Burnett Street | Signal Hill, CA 90755 USA  
Ph: 562.424.1100 | Fax: 562.424.3520  
www.adaptivetechologiesgroup.com



### ALWAYS INSTALL SAFETY CABLES

**WARNING:** Mounting and/or suspension of audio and video equipment requires experienced professionals. Improperly installed loudspeakers can result in property damage, personal injury and/or liability to the installing contractor.

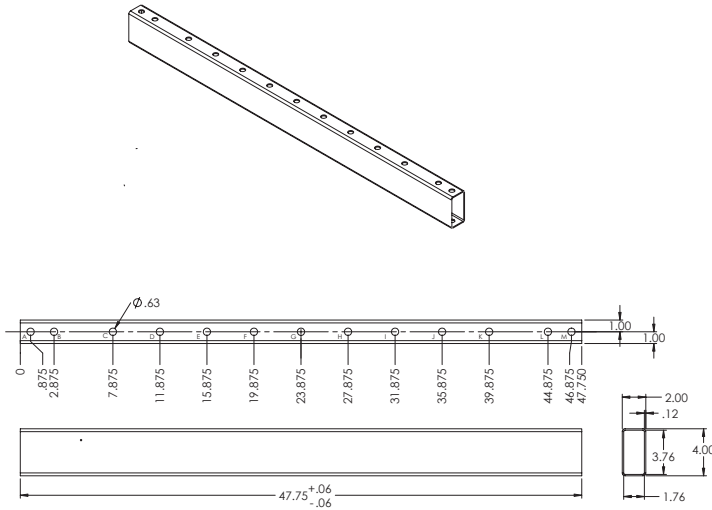
# SAS-2WA-48

# 550 lb. WLL

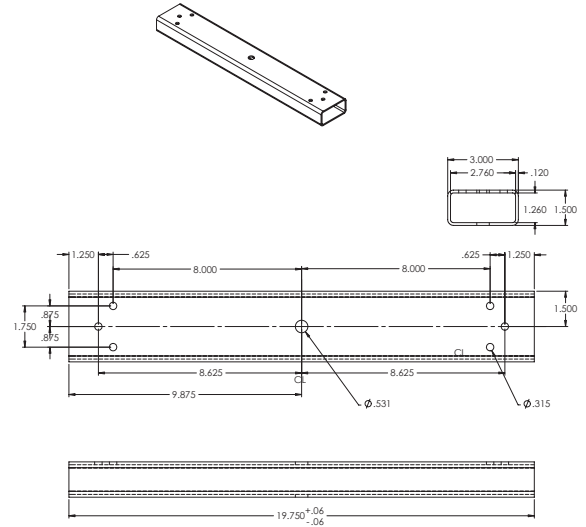
## SUSPENSION & AIMING FOR TWO CABINETS

## SWIVEL BEAM®

### SUSPENSION BEAM DIMENSIONS

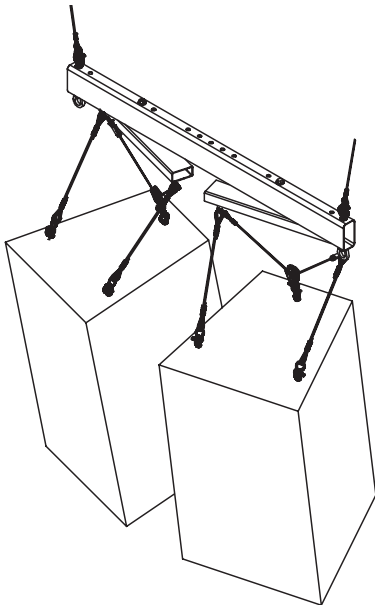


### CROSS ARM DIMENSIONS

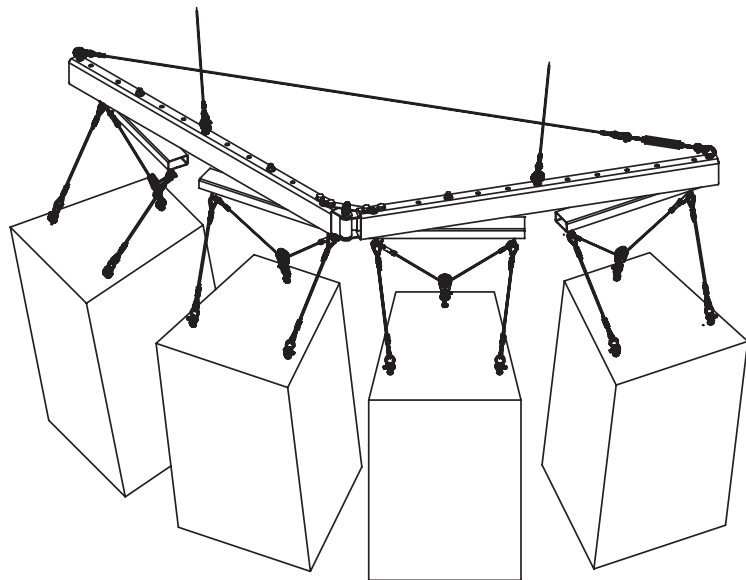


## TYPICAL CONFIGURATIONS

Single Tier  
1 Wide



Single Tier  
2 Wide



In all cases above, each individual cabinet may be adjusted horizontally or vertically without affecting the angle of the other cabinets