

# SK-025-S

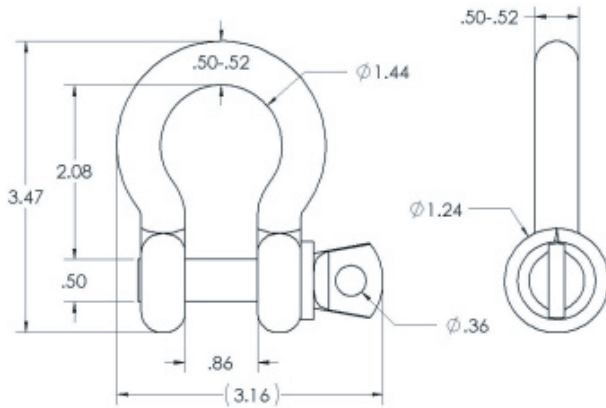
(1400 lb. WLL)

1/4" SHACKLE - SCREW PIN ANCHOR

SHACKLE



The screw pin version of shackle is ideal for the joining of two closed-end items together, such as wire rope assemblies, turnbuckles and eyebolts. The small hole in its pin offers a back up safety feature by securing a wire or cable tie through the holes and around the body of the shackle. This prevents the pin from loosening through vibration and is known as "mousing" the shackle. Shackles are rated for overhead suspensions because of this redundant locking feature and the radius portion of their body structurally accommodates three way bridles.



### SPECIFICATIONS:

- Materials:** Steel Aircraft Cable 7X19
- Diameter:** 1/4" .025 / 6mm
- Finish:** Galvanized
- Color:** Silver
- Design Factor:** 5:1 ratio
- WLL:** 1400 lb / 636 Kg
- Assembly:** Galvanized Thimble  
Zinc plate over copper oval sleeve

Part Number	1/4X1	1/4X1.5	1/4X2.5	1/4X4	1/4X5	1/4X10	1/4X20	1/4X30	1/4X40	1/4X50
Length	1'	1.5'	2.5'	4'	5'	10'	20'	30'	40'	50'



Rated for outdoor use.

#### ALWAYS INSTALL SAFETY CABLES

**WARNING:** Mounting and/or suspension of audio and video equipment requires experienced professionals. Improperly installed loudspeakers can result in property damage, personal injury and/or liability to the installing contractor.