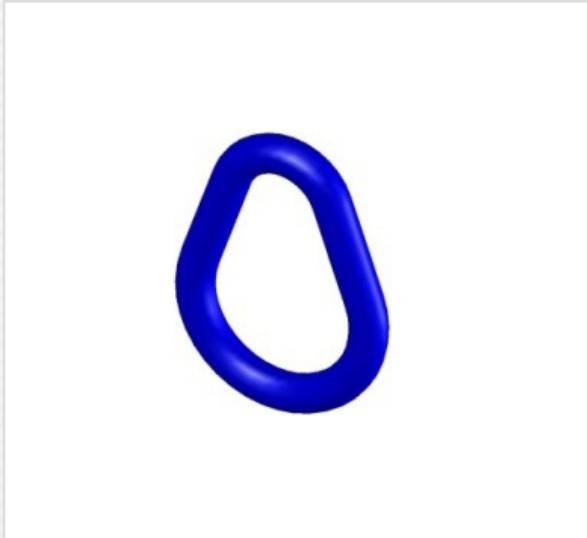


SL-625

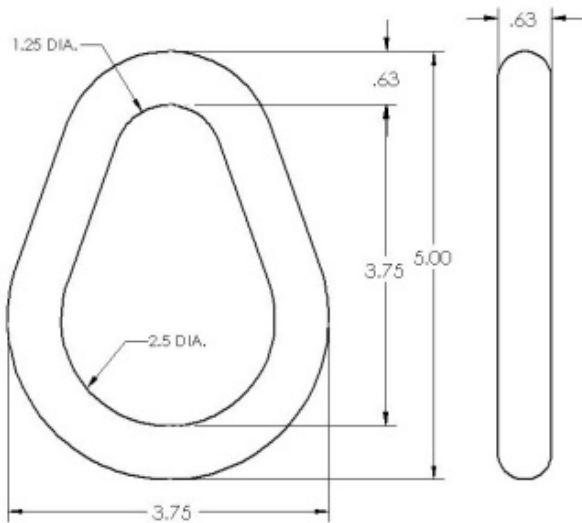
(2520 lb. WLL)

5/8" PEAR SHAPED SLING LINKS

LINKS, PEAR & END



Weldless sling links are produced from a single piece of metal so there is no chance for weld failure. This high strength load-rated link is ideal for use in bridling two points (from the wider end), at angles from a third point (at the narrower end), such as with shackles or wire rope assemblies.



SPECIFICATIONS:

Diameter:	5/8"
Color:	Blue
Design Factor:	10:1
WLL:	2520 lb / 1145 Kg



Rated for indoor use.

ALWAYS INSTALL SAFETY CABLES

WARNING: Mounting and/or suspension of audio and video equipment requires experienced professionals. Improperly installed loudspeakers can result in property damage, personal injury and/or liability to the installing contractor.