

SocketMount with WP-16 Stud Brace Plate

Thank you for selecting the SM-075-AS adjustable arm Socket Mount. This universal speaker wall mount is designed to mount and aim loudspeakers, equipped with pole sockets, to walls and other safe vertical structures, and to provide more floor space. The arm of the SM-075-AS version can be tilted down 15 degrees from horizontal or stowed flat against the wall to clear more clear head room when not in use.

Note to installers

Due to the wide variety of wall structures, materials and mounting methods, these instructions assume that the installing contractor will exercise proper judgment in selecting the mounting area and hardware. As a guide, the installation, when complete should be capable of supporting 5 to 10 times the actual applied load. Also, always use a back up safety system such as a safety cable.

To assure a trouble free installation, read through and follow these instructions carefully before beginning. If you have doubts about the integrity of the structure you are mounting to or you are not sure about the proper hardware to use, consult a structural and/or hardware specialist.

Be sure that all of the following items are included in this kit before proceeding:

- 1 pc Wall mount assembly
- 1 pc Hardware kit
- 1 pc Instruction sheet

Step 1: Securing Rubber Post to Arm

Select the type of post assembly so that the speaker sits tightly and flush on top of the support arm. Assemble the selected rubber post (Figure 1, 2 & 3) through the desired arm's hole using the SocketMount logo as a guide. **Make sure the tapered end of the rubber post faces up** (Figure 1, 2 & 3).

Note: Use the second hole on the arm for better support if possible (Figure 1, 2 & 3).

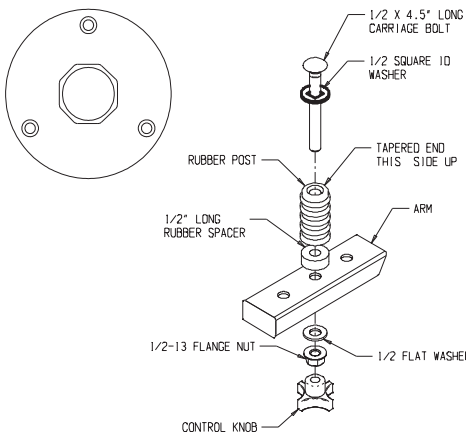


Figure 1

Plastic cup style use 1/2" rubber spacer

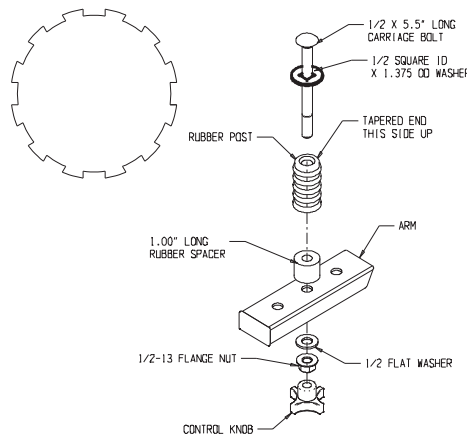


Figure 2

Molded-In-plastic ribbed style use 1" rubber spacer

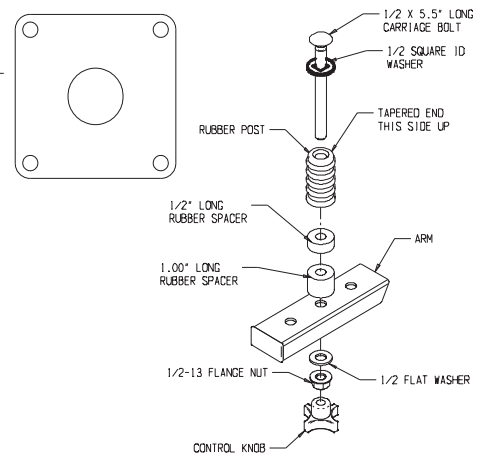


Figure 3

Metal style use 1/2" and 1" rubber spacer

If the optional Stud Brace Plate is selected to bridge the SocketMount between two structural wall studs, install this in the desired area now then bolt socket mount directly to the bridge (Figure 5).

If the optional Pole Adapter Plate is available to mount the SocketMount to a radial surface, install it in the desired area now then bolt SocketMount directly to the pole adapter (Figure 6).

Step 3: Install Speaker

Align the tripod socket of the speaker with the rubber post and slowly lower the speaker into place. Rotate the speaker into the desired direction then tighten the flange nut until the speaker is secured to the support arm. **The bottom surface of the speaker or socket should be flush with the arm surface and the speaker should not be able to move.** Thread the friction knob on after the nut is tightened to cover the remaining threads of the carriage bolt (Figure 7).

Step 4: Adjust Speaker Tilt

Using a wrench, rotate the screw drive from the bottom of the arm counter-clockwise to tilt the speaker down (max. tilt to 15°) and clockwise to tilt up (Figure 8). **Do not adjust the arm above the level or horizontal position.**

Step 5: Stow Arm:

When SocketMount is not in use, fold the arm down by releasing the quick release pin, align the slot of the arm with the upper hole of the wall plate then re-insert the pin (Figure 9).

Step 5: Recommendation

Attach a safety cable (sold separately) to the wall surface (**Must be able to support at least five times the weight of the speaker**), and then attach the other end of the safety cable to the speaker. If no attachment is provided on speaker, consult speaker manufacturer for best attachment point and method.

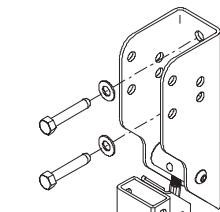


Figure 4

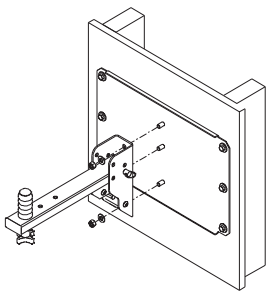


Figure 5
(Optional Stud Brace)

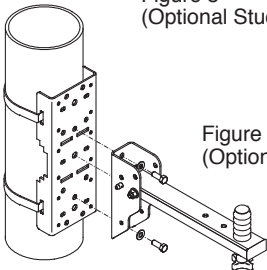


Figure 6
(Optional PoleStar™)

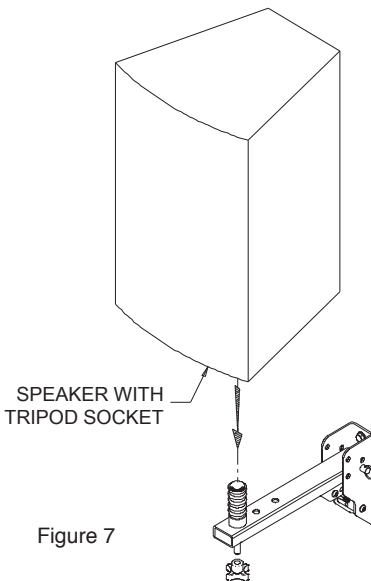


Figure 7

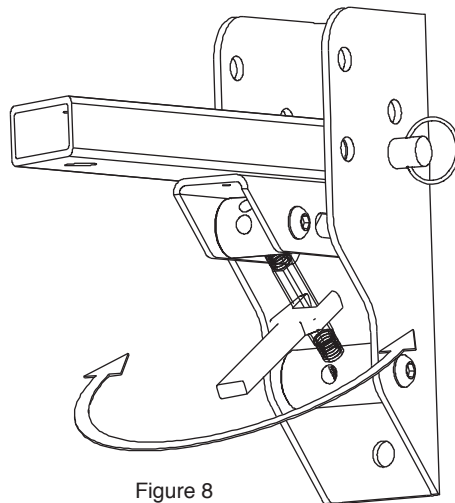


Figure 8

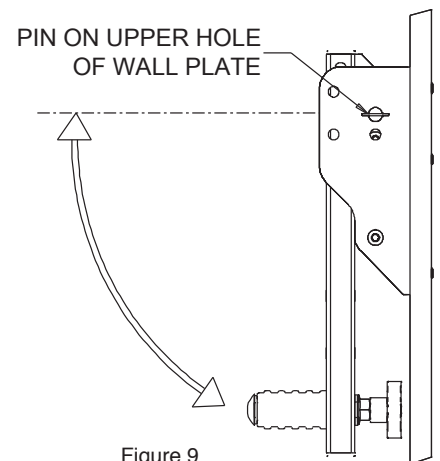


Figure 9