

# STOP-SWG-SERIES

Cable Stops

Cable Hardware



Wire rope stops are used to seal the end of a wire rope to prevent sharp frayed ends. Also called button stops, these aluminum cable stops are swaged on wire rope to cap the ends. Stop buttons should not be used for load bearing applications. Use with aluminum sleeves on galvanized wire rope.

Choose from 3 different sizes.



## STANDARD FEATURES:

- ▶ Prevent sharp frayed ends

## OPTIONAL ACCESSORIES:

- ▶ Wire rope

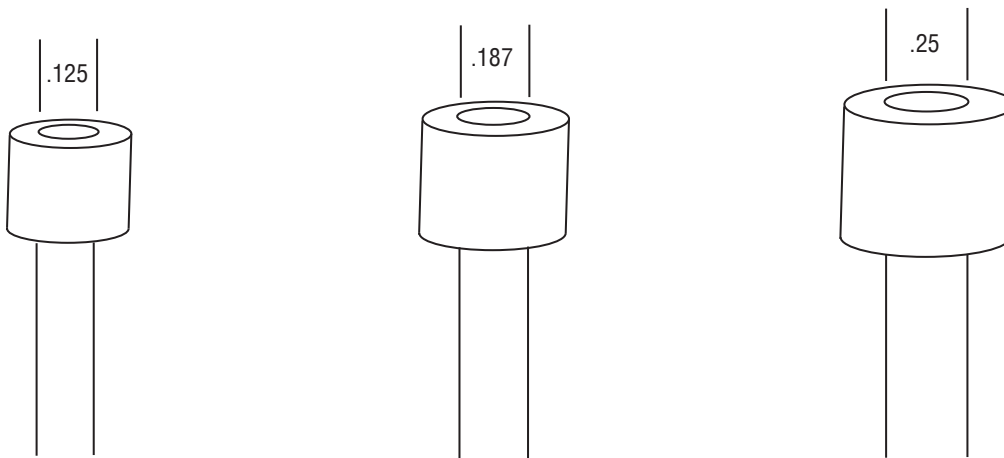
## SPECIFICATIONS:

**Material:** Aluminum  
**Finish:** Silver  
**Pack Count:** 50-100

## PACKAGE CONTENTS:

**50 or 100pcs STOP SWG**

## STOP-SWG SERIES



Rated for indoor use.

### ALWAYS INSTALL SAFETY CABLES

**WARNING:** Mounting and/or suspension of audio and video equipment requires experienced professionals. Improperly installed loudspeakers can result in property damage, personal injury and/or liability to the installing contractor.