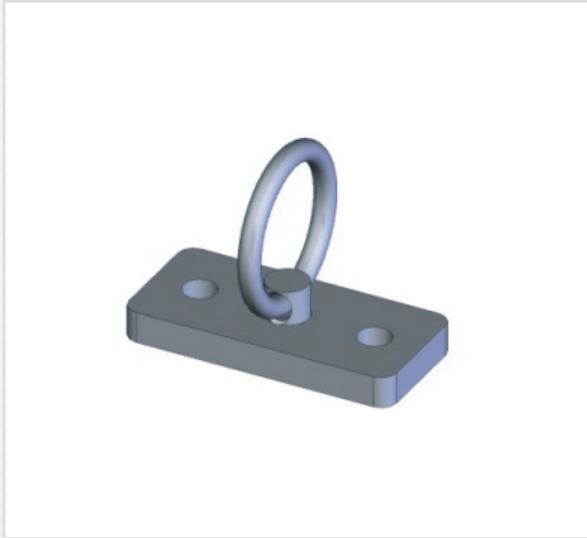


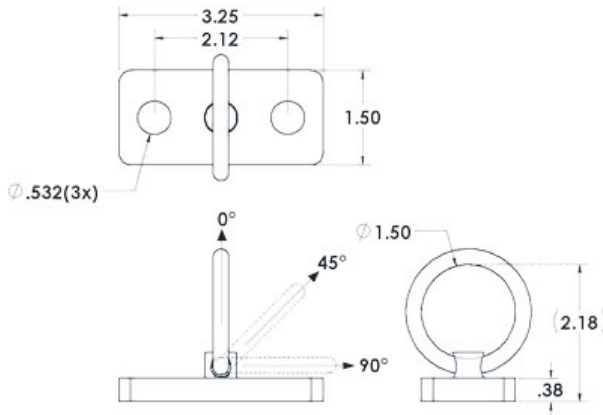
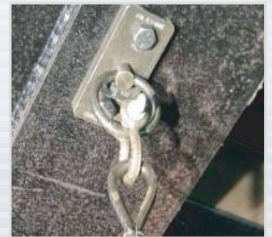
OSRV2-1/2

1/2" OFF-SET SWIVEL ANCHOR

OSR SERIES



Put hang points where you need them with the OSR Anchor. Avoid side loads with this high strength, load rated off-set swivel ring fitting. This two-hole style swivel fitting distributes suspended loads evenly from overhead structures. Attach them to the super structure of the facility to provide safe predictable attach points for suspended systems. The OSR Series swivel attachment fitting helps avoid side loads by keeping suspension forces in-line while maintaining relatively high working loads.



SPECIFICATIONS:

Diameter: 1/2"

Color: Black

Design Factor: 5:1 ratio

Vertical WL: 1200 lb / 545 Kg

45 DEG. WL: 1000 lb / 454 Kg

90 DEG. WL: 1000 lb / 454 Kg



Rated for indoor use.

ALWAYS INSTALL SAFETY CABLES

WARNING: Mounting and/or suspension of audio and video equipment requires experienced professionals. Improperly installed loudspeakers can result in property damage, personal injury and/or liability to the installing contractor.