

OSRV1-38

HANG POINT FITTINGS

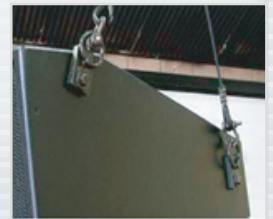
OSR SERIES



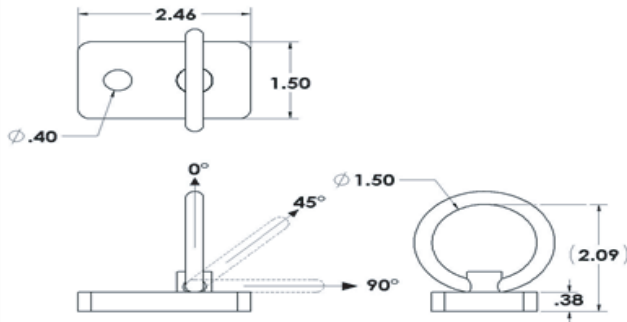
To ensure safe and secure rigging systems, both the overhead suspension point(s) and the hang point of the object(s) being suspended must be engineered to accommodate the load with a margin of safety. The OSR Series swivel attachment fitting is a high strength, load rated, attachment that solves for both. The single-hole style is for attachment to the suspended object such as to a loud speaker. The swivel feature of the pull ring helps avoid side loading when suspended from an angle.

SINGLE HOLE FITTING FOR SPEAKERS

Use this load rated fitting to secure loudspeakers and other objects that accommodate 1/4" threaded fasteners. Suspend the object from the OSR fitting's pull ring with a shackle or other compatible fastener to wire rope, rigging chain, etc.



Single Hole Fitting



SPECIFICATIONS:

Material: Alloy Steel

Finish: Black Zinc

Colors: Black

WLL: 0°-800 lbs./363 kg.

45°-750 lbs./340 kg.

90°-650 lbs./293 kg.

Design Factor: 5:1 ratio based on ultimate yield point

Net Weight: 0.56 lbs./0.25 Kgs



Rated for indoor use.

ALWAYS INSTALL SAFETY CABLES

WARNING: Mounting and/or suspension of audio and video equipment requires experienced professionals. Improperly installed loudspeakers can result in property damage, personal injury and/or liability to the installing contractor.