

TB-500-JJ

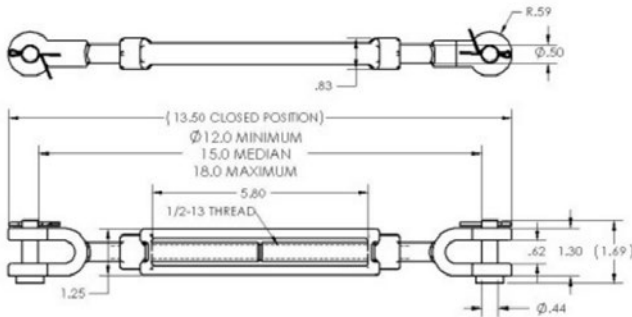
(2200 lb. WLL)

1/2" TURNBUCKLE - JAW TO JAW

TURNBUCKLES



Turnbuckles serve as a load-rated tensioning and leveling device. For tensioning, one end always comes with a reversed thread so that when it is placed into service between two objects in its fully extended position, the housing may be rotated back to shorten the overall component, pulling the threaded arms in and putting additional tension into the system, such as between two anchored wire rope assemblies. Turnbuckles are also employed as leveling devices to bring overhead truss and grids into a level attitude. Its clevis fittings accommodate wire rope assemblies, rigging chain and other closed end devices.



SPECIFICATIONS:

Diameter: 1/2"

Color: Silver

Design Factor: 5:1

WLL: 2200 lb / 1000 Kg



Rated for outdoor use.

ALWAYS INSTALL SAFETY CABLES

WARNING: Mounting and/or suspension of audio and video equipment requires experienced professionals. Improperly installed loudspeakers can result in property damage, personal injury and/or liability to the installing contractor.