

# TK-100-IB

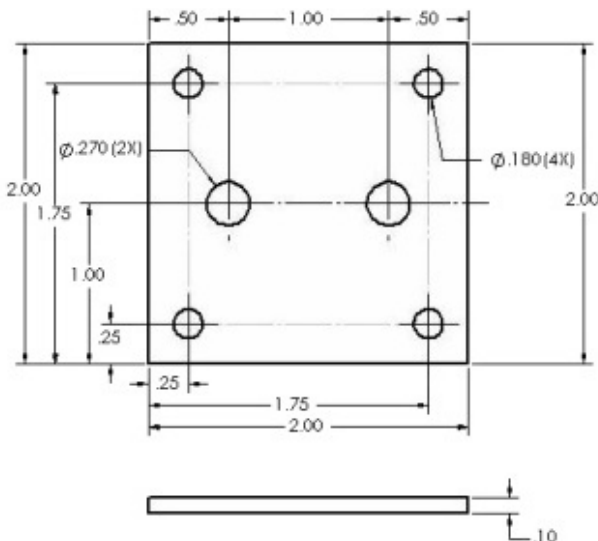
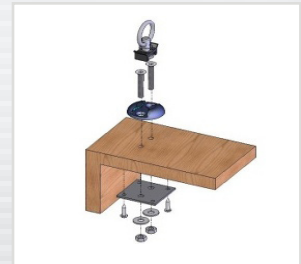
# 430 lb. WLL

INTERNAL PLATE

STUD FITTINGS



The TK-100-IB internal plate serves as a bearing surface to distribute the suspended loads applied to the matching anchor plate (TK-002-02) mounted outside of the suspended cabinet. The two center holes accommodate two 1/4" or M6 flat head screws from the anchor plate and fasten with locking nuts. The four outer holes are used for securing the plate to the inside of the cabinet.



## SPECIFICATIONS:

**Diameter:** -

**Color:** Black

**Design Factor:** 10:1

**WLL:** 430 lb / 195 Kg