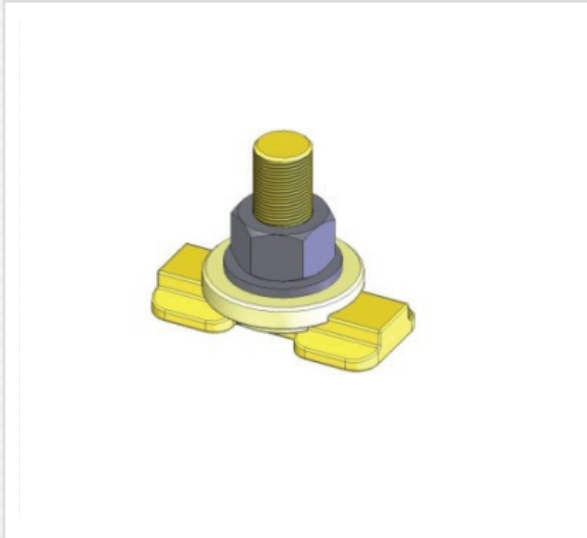


# TK-100-STD

# 430 lb. WLL

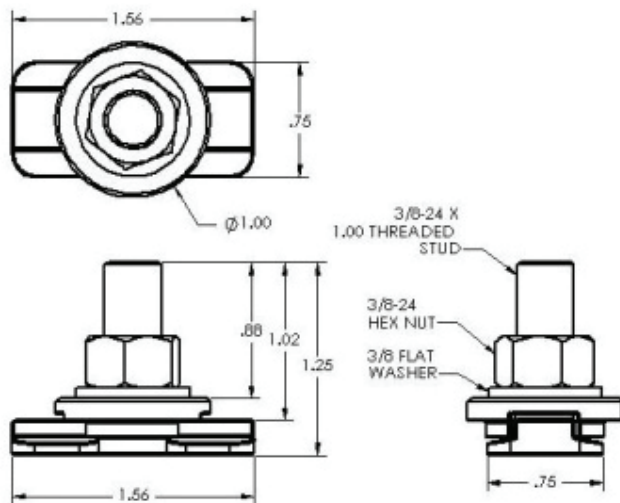
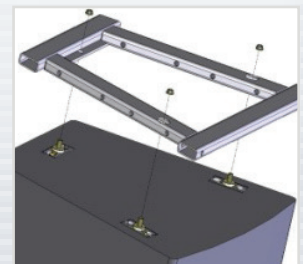
## 1" DOUBLE STUD THREADED ADAPTER

## STUD FITTINGS



Loudspeaker cabinets equipped with L-track can be suspended with single and double stud fittings. The thread adapter, however, allows objects to be bolted to the cabinet, such as with AMFS truss modules by ATM FlyWare. Simply lock the threaded fittings into the L-track then fit the truss module over the studs and secure with the included locking style nuts.

If the cabinet being suspended is not already equipped with track and you want to build in flexibility, be sure to select one of the compatible track and internal brace kits from the L-Track portion of the rigging hardware section.



### SPECIFICATIONS:

**Diameter:** 3/8"

**Color:** Gold

**Design Factor:** 5:1

**Size:** 3/8-24 X 1.00"

**WLL:** 430 lb / 195 Kg



Rated for indoor use.

### ALWAYS INSTALL SAFETY CABLES

**WARNING:** Mounting and/or suspension of audio and video equipment requires experienced professionals. Improperly installed loudspeakers can result in property damage, personal injury and/or liability to the installing contractor.