

TK-100-SW1

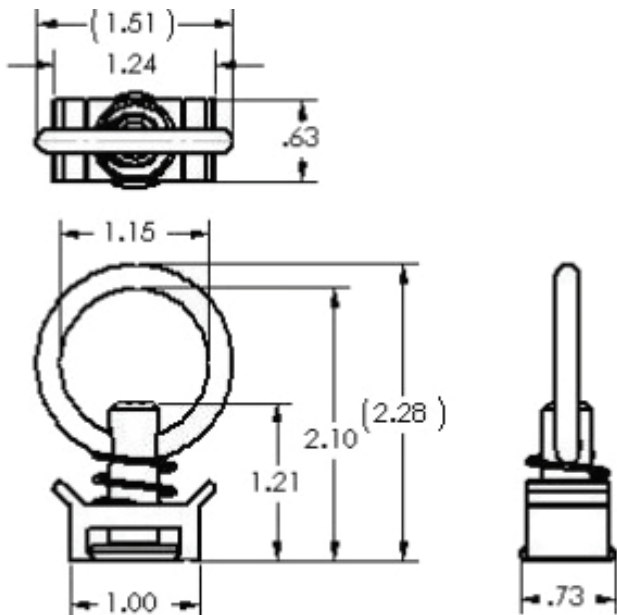
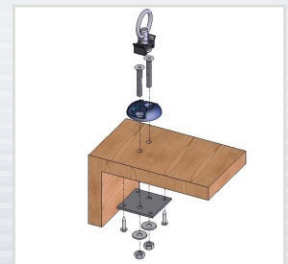
SINGLE STUD WITH RING

STUD FITTINGS



Single stud track fittings are used for the suspension of loudspeakers and other objects equipped with Anchor Plates and L-track components. They are easy to use and make temporary installations fast and secure. Its swivel ring allows objects to be secured from any direction and from a wide range of readily available coupling devices such as, carabiners, QuickLinks and shackles.

This design does not offer a redundant locking feature that is sometimes required in overhead applications. If the cabinet being suspended is not already equipped with L-track or Anchor Plates, be sure to select the aluminum TK-002-02 Anchor Plate and stainless TK-100-IB internal brace for weather proof loudspeakers and CB-375-02 or CB-M10-02 corner braces for indoor applications.



SPECIFICATIONS:

Color: Black

Design Factor: 10:1

WLL: LIMIT 430 LB/195 KG (CENTERLINE OF SHAFT)

165 LB/75 KG (PERPENDICULAR TO SHAFT)



Rated for indoor use.

ALWAYS INSTALL SAFETY CABLES

WARNING: Mounting and/or suspension of audio and video equipment requires experienced professionals. Improperly installed loudspeakers can result in property damage, personal injury and/or liability to the installing contractor.