

TK-100-SW2

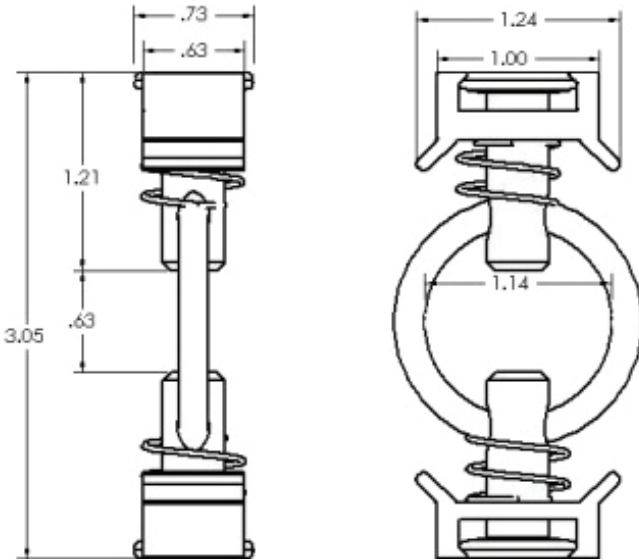
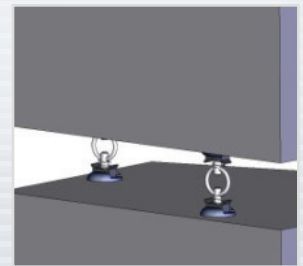
SINGLE STUD - TANDEM STYLE

STUD FITTINGS



Single Stud Tandem track fittings are designed to couple multiple loudspeakers and other single Anchor Plate and L-track equipped objects together into vertical columns. Tandem fittings make assembling small clusters for temporary installations fast and secure. Its ring allows objects to be secured with a wide range of readily available coupling devices such as, carabiners, quick links and shackles.

This design does not offer a redundant locking feature that is sometimes required in overhead applications. If the cabinet being suspended is not already equipped with L-track or Anchor Plates, be sure to select the aluminum TK-002-02 Anchor Plate and stainless TK-100-IB internal brace for outdoor applications and CB-375-02 or CB-M10-02 corner braces for indoor application.



SPECIFICATIONS:

Color: Black

Design Factor: 10:1

WLL: 430 lb / 195 Kg (CENTERLINE OF SHAFT)

165 lb / 75 Kg (PERPENDICULAR TO SHAFT)



Rated for indoor use.

ALWAYS INSTALL SAFETY CABLES

WARNING: Mounting and/or suspension of audio and video equipment requires experienced professionals. Improperly installed loudspeakers can result in property damage, personal injury and/or liability to the installing contractor.