

TK-200-STD

(1300 lb. WLL)

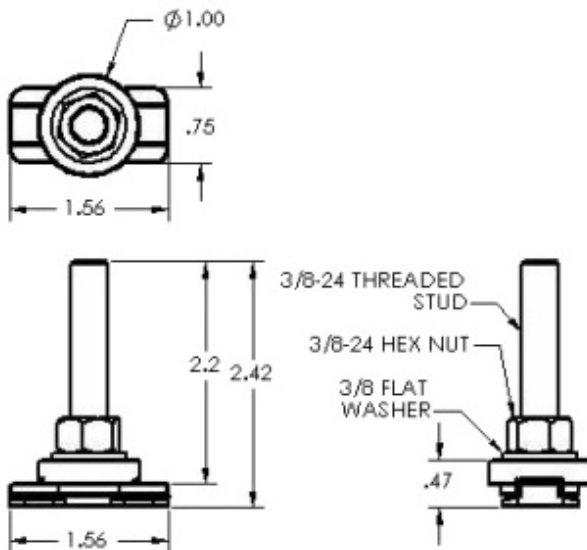
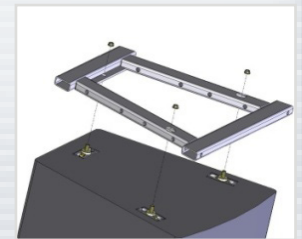
2" DOUBLE STUD THREADED ADAPTER

STUD FITTINGS



Assemble loudspeaker columns equipped with L-track quickly into clusters for temporary installations. Double stud track fittings are secured with two feet (studs) that provide more stability and working load over the single stud design. These fittings are offered with and without an attachment ring and they couple multiple loudspeakers and other L-track equipped objects together into vertical columns.

The ring option allows loudspeakers and other objects, equipped with L-track, to be secured from a wide range of readily available coupling devices such as, carabiners, quick links and shackles. This design does not offer a redundant locking feature that is sometimes required in overhead applications.



SPECIFICATIONS:

Diameter: 3/8"

Color: Gold

Design Factor: 5:1

Size: 3/8-24 X 2.00"

WLL: 1300 lb / 591 Kg VERTICAL



Rated for indoor use.

ALWAYS INSTALL SAFETY CABLES

WARNING: Mounting and/or suspension of audio and video equipment requires experienced professionals. Improperly installed loudspeakers can result in property damage, personal injury and/or liability to the installing contractor.