

TK-200-SW2

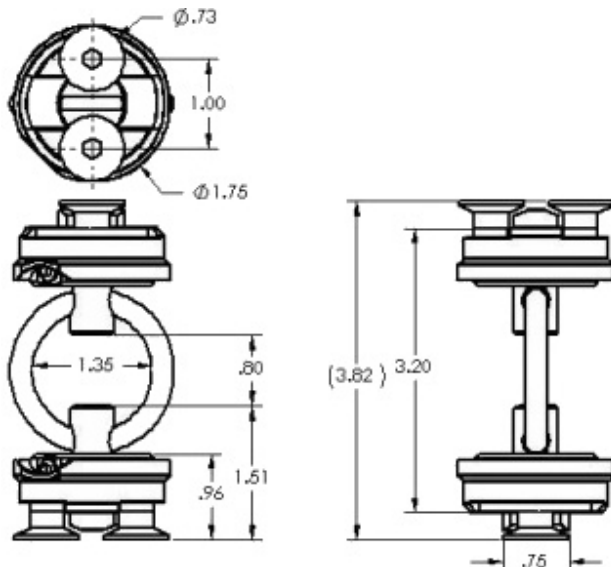
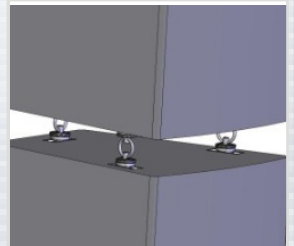
DOUBLE STUD SWIVEL TANDEM

STUD FITTINGS



Quickly assemble loudspeaker columns and clusters together using this tandem design, especially for live performance venue set up. Tandem fittings couple multiple loudspeakers and other track equipped objects together into vertical columns. This assembly comes with swivel rings to limit side loading and for ease in coupling to carabiners, quick links and shackles.

This design offers a redundant locking feature that is sometimes required in overhead applications. If the cabinet being suspended is not already equipped with L-track, be sure to select one of the compatible track and internal brace kits from the internal portion of this rigging hardware section.



SPECIFICATIONS:

Diameter: -

Color: Black

Design Factor: 10:1

WLL: 500 LB/227 KG (THROUGH SHAFT)
400 LB/182 KG (90 DEG. TO SHAFT)



Rated for indoor use.

ALWAYS INSTALL SAFETY CABLES

WARNING: Mounting and/or suspension of audio and video equipment requires experienced professionals. Improperly installed loudspeakers can result in property damage, personal injury and/or liability to the installing contractor.