

U-Bracket

Installation Instructions UB-325-13

The UB-325-13 U-Bracket is a mounting bracket that attaches a loudspeaker to a wall, deck, ceiling, or balcony and provides a one axis aiming feature.

Warning:

Mounting and/or rigging loudspeakers requires experienced professionals. ***Improperly installed loudspeakers can result in property damage, personal injury, death and/or liability to the installing contractor.***

Note to Contractor: Due to the wide variety of wall structures, materials and methods, the contractor should exercise good judgment in selecting the proper mounting area and hardware. Do not rely on drywall, acoustic tiles, etc. to support the weight of any loudspeaker.

To assure a trouble free installation, read through and follow these instructions carefully before beginning. If you have doubts about the integrity of the structure you are mounting to, or you are not sure about the proper hardware to use, consult a structural and/or hardware specialist. The structure should be capable of supporting 5 to 10 times the actual weight of the speaker. The use of a back up safety system, such as a safety cable, is highly recommended. Standard safety cables are available from stock.

Contents:

Qty:	Description
1 pc.	U- Bracket Speaker Mount
1 pc.	Instruction Sheet
1 bag	Hardware kit package (M10 hardware)

Step 1: Place the U-Bracket over the speaker cabinet to be sure you have the correct mount. Sound isolation gaskets are placed between the loudspeaker cabinet and the U-Bracket's arms. Also, compare the included assembly hardware with that of the loudspeaker. If threaded mounting points are not provided by the manufacturer contact them for the correct mounting procedure.

Step 2: Select the mounting area where the loudspeaker will be installed. Attach the U-Bracket to the wall or ceiling using the holes on the base of the U-Bracket. Use the appropriate hardware for the application (if in doubt, consult local hardware specialist). Tighten permanently.

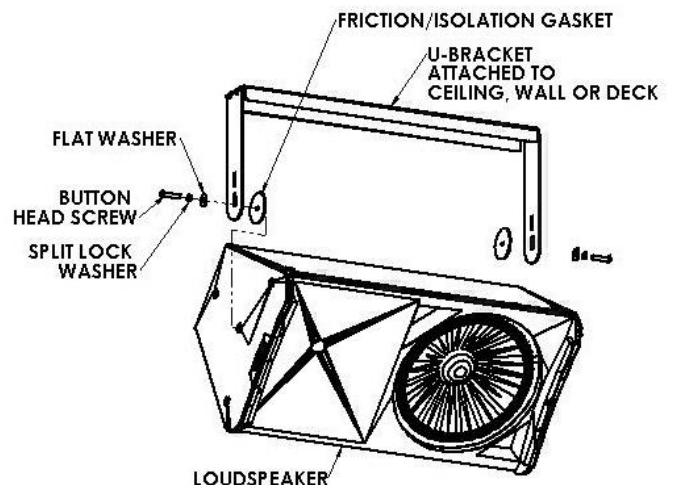


Figure 1

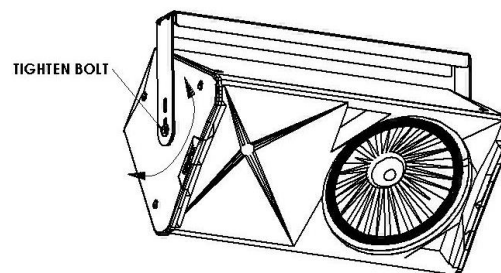


Figure 2

Step 3: Place the speaker between the U-Bracket's arms. Insert the M10 Button head bolt, flat washer and split lock washer (must match the speaker's thread) through the hole in the arms with the sound isolation gasket in between the speaker and the bracket. Thread the bolt into the loudspeaker. Repeat on the other side of the speaker (Figure 1). Do not fully tighten yet.

Step 4: Rotate the loudspeaker into the desired direction then tighten the side bolts permanently (Figure 2).

Step 5: **Truss Clamp Application:**
For a single truss clamp application, attach the truss clamp on the center hole of the U-bracket's base using a 1/2-13x1.5" long hex bolt, 1/2 fender washer and a 1/2-13 nylock nut (M12 hex bolt, M12 fender washer and M12 nylock nut can also be used). Position the desired direction of the loudspeaker then tighten nut (figure 3).

For dual truss clamp application, attach the truss clamp on the two holes of the u-brackets base close to the bend. Use 1/2-13x1.5" long hex bolt, flat washer and nylock nut (M12 bolt, fender washer and nyloc nut can also be used) (Figure 4).

Step 6: **Recommendation: Safety Cable**
Install a safety cable to the U-Bracket and to the structurally load rated mounting surface.

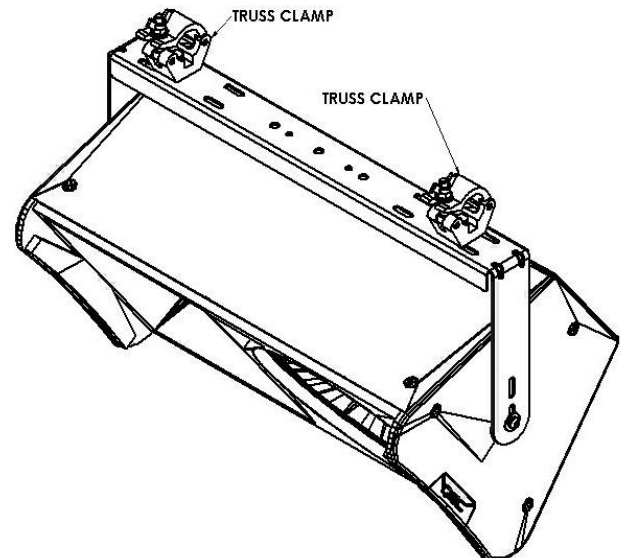
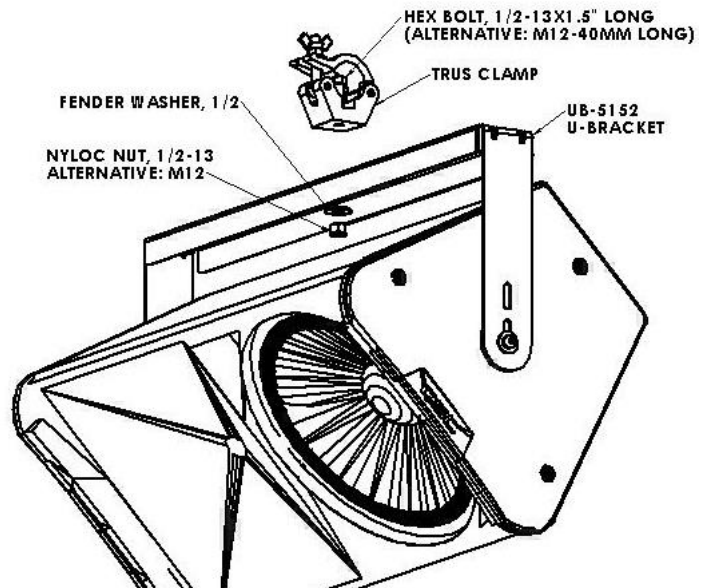


Figure 4