



The UB-3RDX-60 is an interface that provides a third axis of rotation for U-Bracket speaker mounts that are suspended from overhead structures.

This interface adapts to standard schedule-40 1/2" NPT and BSPT standard threaded steel pipe to allow speakers to be positioned as close or as far away from the ceiling as desired.

Signal wire to the speaker may be routed through the pipe and through the upper housing of the UB-3RDX-60 to provide a clean installation appearance.

#### Note to installers

Due to the wide variety of wall structures, materials, mounting and rigging methods, these instructions assume that the installing contractor will exercise proper judgment in selecting the mounting, suspension areas and hardware.

As a guide, the installation, when complete should be capable of supporting 5 to 10 times the actual applied load. Always use a back up safety system such as a safety cable.

To assure a trouble free installation, read through and follow these instructions carefully before beginning. If you have doubts about the integrity of the structure you are mounting to or you are not sure about the proper hardware to use, consult a structural and/or hardware specialist.

Be sure that all of the following items are included in this kit before proceeding:

- 1 pc U-Bracket Tilt Adapter Assembly
- 1 pc Instruction sheet
- 1 pc Hardware kit

Note: Screws and washers to attach speaker to adapter plate are not included

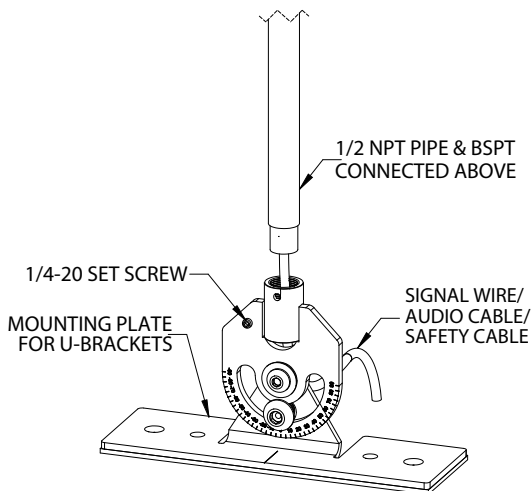


Figure 1

#### Step 1: Install Pipe Extension

Anchor the selected pipe extension in the vertical orientation. Be sure that it is fully secured and cannot un-thread itself over time. Use a schedule-40 1/2" NPT or BSPT pipe and run the signal wire through with plenty of extra wire to reach the speaker's terminal block before attaching the UB-3RDX-60 (Figure 1).

#### Step 2: Attach UB-3RDX-60 to the Pipe Extension

Pull the extra length of signal wire through the top of the Mount's pipe fitting then fully thread the mount onto the pipe until tight (Figure 2).

#### Step 3: Attach U-Bracket and Speaker to the UB-3RDX-60

Secure the U-Bracket to the loudspeaker then match up the holes of the U-Bracket with the UB-3RDX-60 and bolt the two assemblies together permanently using the supplied bolts, washers and nuts (Figure 2).

#### Step 4: Aim and Wire Speaker

- (a) Rotate the speaker horizontally into the desired direction. Permanently tighten the side set screw of the UB-3RDX-60 into the pipe to prevent the mount from un-threading itself.
- (b) Rotate the speaker and U-Bracket relative to the vertical pipe to get the desired lateral tilt angle. Tighten the bolts of the UB-3RDX-60 permanently.
- (c) Rotate the speaker within the arms of the U-Bracket into the desired angle then fully tighten side bolts (Figure 2).

If any of these angles require further adjustment, loosen the bolts first then rotate the speaker to the new angle. When satisfied with the aiming of the speaker, permanently tighten all bolts and hardware.

**Step 5:** Connect signal wire to the speaker terminals and secure a safety cable to the speaker and the upper structure.

