

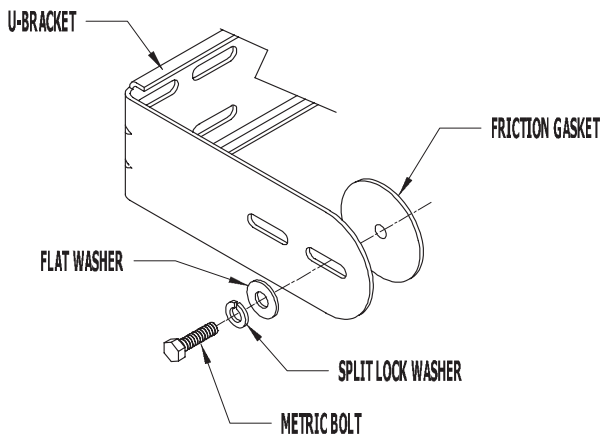
UB-METRIC HARDWARE KITS

UB-M06-BK, UB-M08-BK and UB-N10-BK

UB-METRIC HARDWARE



This hardware kit is for attaching loudspeakers with metric inserts to Adaptive Technologies Groups U-Brackets and Adjustable UBrackets.



SPECIFICATIONS:

Materials: Structural Steel Alloy
Finish: Bright Zinc, Black Zinc
Color: Black/Silver

CONTENTS:

2pc Bolt
2pc Flat Washer
2pc Split Lock Washer

Pack Count: 6/carton

UB-M06-BK: M6 hardware

Qty.	Description
2 pcs.	M6x1x 50mm bolt (silver)
2 pcs.	Flat washer, black
2 pcs.	Split Lock washer, black

UB-M08-BK: M8 hardware

Qty.	Description
2 pcs.	M8x1.25x50mm bolt (silver)
2 pcs.	Flat washer, black
2 pcs.	Split lock washer, black

UB-N10-BK: M10 Hardware

Qty.	Description
2 pcs.	M10x1.5x50mm (silver)
2 pcs.	Flat washer, black
2 pcs.	Split lock washer, black



Rated for indoor use.

ALWAYS INSTALL SAFETY CABLES

WARNING: Mounting and/or suspension of audio and video equipment requires experienced professionals. Improperly installed loudspeakers can result in property damage, personal injury and/or liability to the installing contractor.