

# VLA SERIES

## VLA601-901-LPB LIGHT PULLBACK BAR

The VLA601-901-LPB is designed to allow designers, contractors and audio consultants the ability to pull back the bottom of the JBL VLA 601 and 901 Series line array system.

**Installing speakers must be performed by experienced professionals.** If in doubt about the integrity of the structure you are mounting or suspending to or not sure about the proper hardware or method to use, consult a certified rigging company.

### Package contents:

- 1 pc VLA601-901-LPB Pull back bar
- 2 pcs Hex bolts, 3/8-16X5" long, G8
- 4 pcs Flat washer, 3/8, SAE
- 2 pcs Nylock nut, 3/8-16, G8
- 1 pc Instruction sheet

### CAUTION: PLEASE READ CAREFULLY BEFORE PROCEEDING

Due to the wide variety of building structures, materials and suspension methods, the installing contractor/installer should exercise good judgment in selecting the proper mounting area and hardware. The structure where the system is suspended must be capable of supporting at least 5 times the actual load.

### Follow building code requirements to safely suspend the speakers to the building structure

#### Step 1

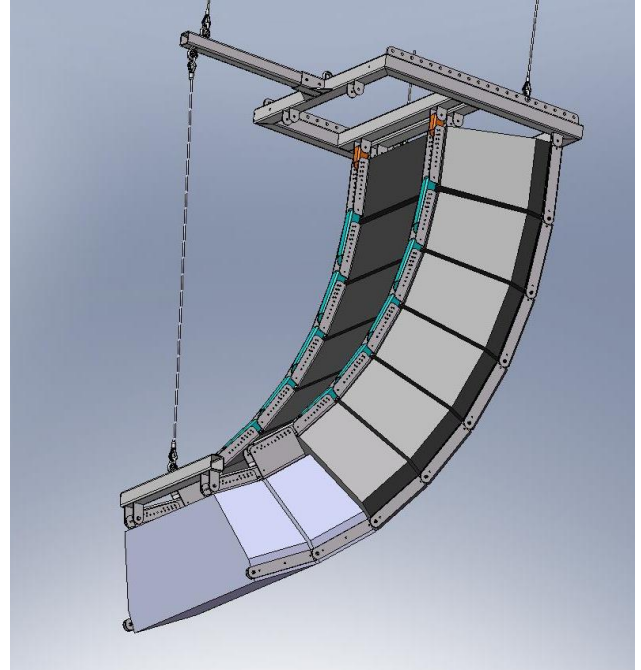
Connect the pull back bar to the rear straps of the bottom speaker with two 3/8-16x5 hex bolts, two nuts, and four washers (Figure 1.)

#### Step 2

Attach the pullback back to the extension tube or the structure safe structure using load rated cables or chains (Figure 2.) Incorporate turnbuckle to the cable to achieve desired tension (Figure3.)

#### Step 3.

Check all hardware connections before hoisting cluster.



VLA-GRID WITH VLA601-901-LPB AND VLA-GRID-EXT

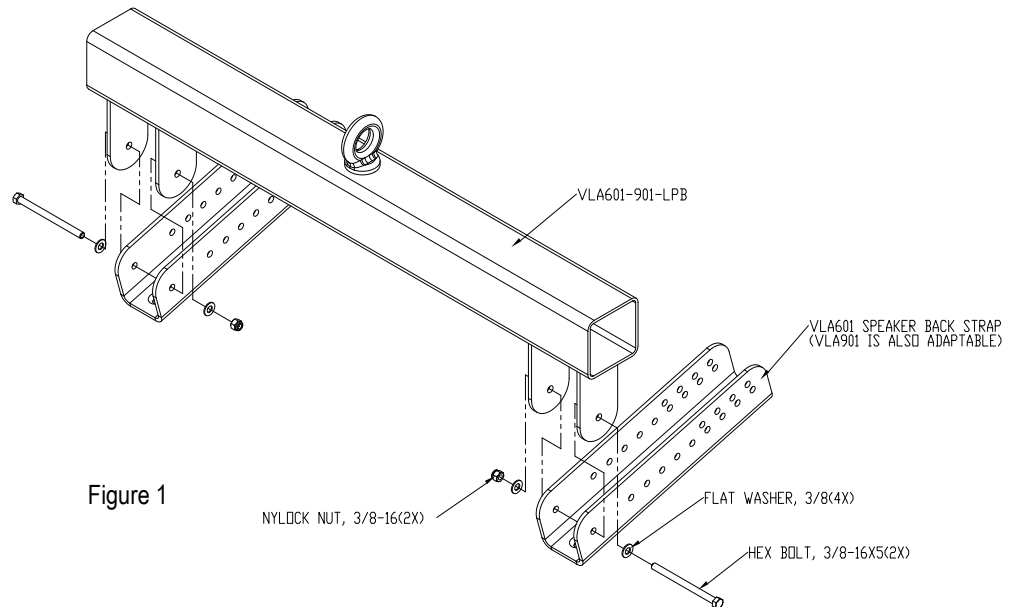


Figure 1

**Note:**

**The other end of the Pull back cable should already be attached to a load rated structure or to the VLA-GRID-EXT attached to the VLA-GRID(Figure 2.)**

Figure 2

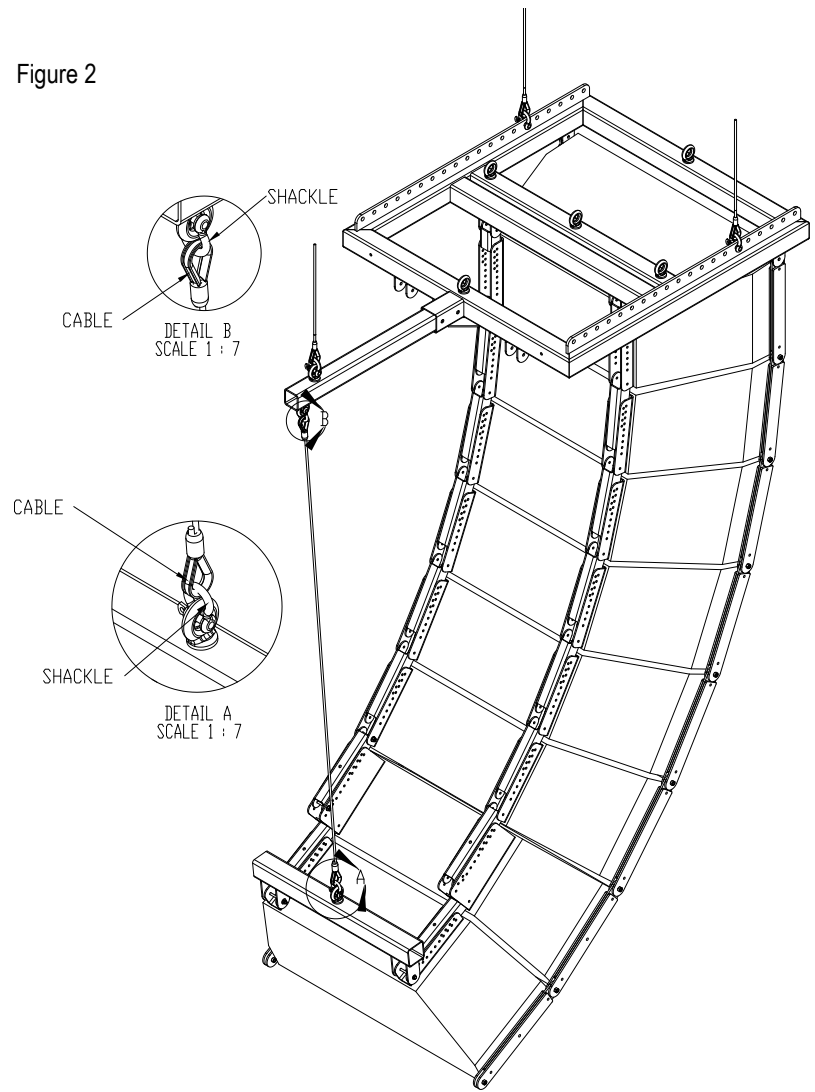


Figure 3

