

2 wide x 2 deep Video Wall Display Installation Guide

This display kit mounts NEC X461UN and X462UNS LCD monitors in a 2 wide by 2 deep landscape configuration. The frame attaches to a wall and receives the LCD monitors by way of four machined fittings (per monitor) that thread into the monitor's VESA holes. These fittings then insert into the frame's channels. The monitor's fittings secure to the frame with locking arms that provide an easy way to remove the monitors for service. A removable panel provides access for media players behind the frame.

Important: Installing video displays is a serious endeavor that requires experienced professionals. **Improperly prepared walls and other structures as well as the equipment being installed can result in property damage, injury and/or liability to the installing contractor.** Do not proceed if any part of the installation is in doubt.

Caution: Due to the wide variety of structures, environments, materials and installation methods, the installing contractor must exercise good judgment in selecting the proper mounting area. The mounting structure must be capable of supporting at least 5 times the load of the installed equipment. Consult local building codes for further guidance.

Follow these instructions for the most efficient and safest mounting results.

Package Contents:

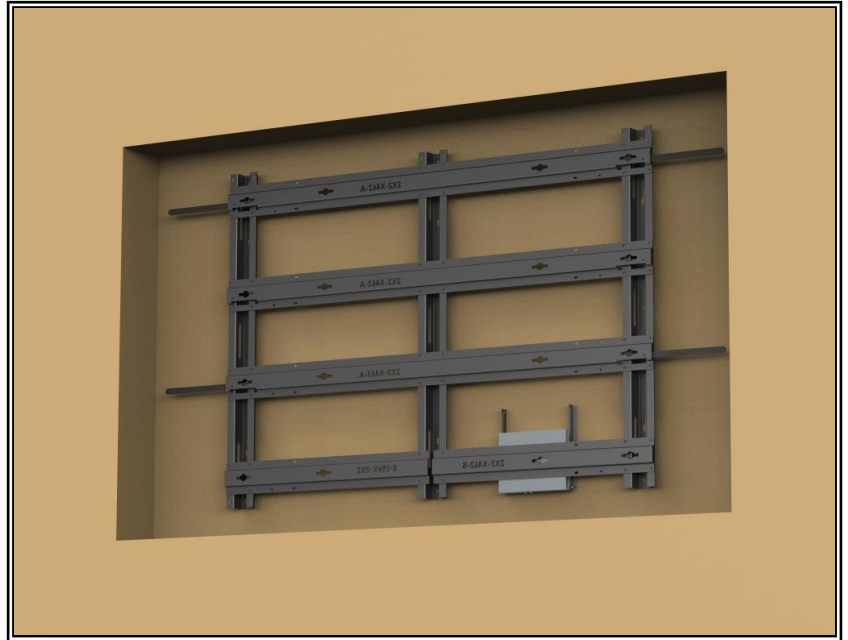
- 1 pc Frame w/ locking arms assembled
- 2 pcs Media player mounting bracket
- 1 pc Adjustment wrench
- 16 pcs M6 Threaded stand-off button (black)
- 9 pcs Wood Screw Hanger (Adjustable Lag bolts)
- 9 pcs Flat washer, 5/16
- 9 pcs Hex nuts, 5/16-18
- 1 pc Instruction sheet

Notes:

Hardware to mount frame to the wall are included.

Note:

The assembled frame weighs approximately 65 lb/29.5 Kg and requires just one installer. Two installers recommended for installing the LCD monitors.



2 Wide x 2 Deep Video Wall Display (Rear View)

Step 1: Mount Frame to Wall

Scribe a horizontal line on the wall showing the exact location of the top edge of the upper left LCD monitor will be. Measure down 8.8" (223.5mm) from that line and scribe another horizontal line showing where the first location of the adjustable lag bolts for the mounting frame will be. This is for the top left keyhole slot (Figure 1).

Scribe a vertical line showing where the left side of the upper LCD monitor will be. Measure to the right and scribe another vertical line 12.6" (320mm) to locate the location of the first adjustable lag bolts for the mounting frame will be. This is for the top right keyhole slot (Figure 1).

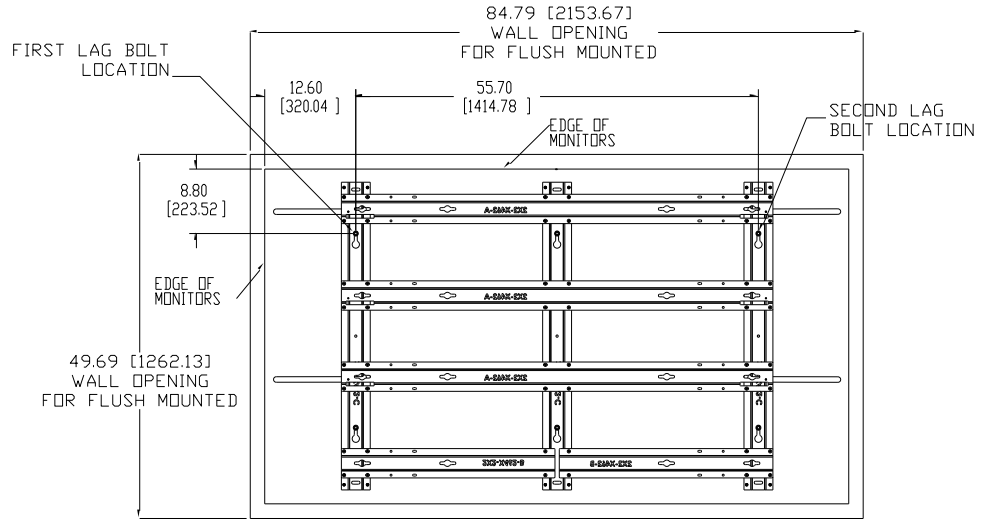


Figure 1

Mark where the 2nd horizontal line vertical lines meets. Measure 55.7" (1414.8mm) to the right for next location of the adjustable lag bolt. Use a level then mark the second location, use level to make sure it is horizontally level to the first hole on the left side. Pre-drill the marked locations using a 3/16" (5mm) drill (Figure 1).

Install the adjustable lag bolts to the pre-drilled holes then hang the frame onto the two adjustable studs. Install the flat washer and hex nut to secure frame to wall. Hand tighten hex nut only (Figure 2).

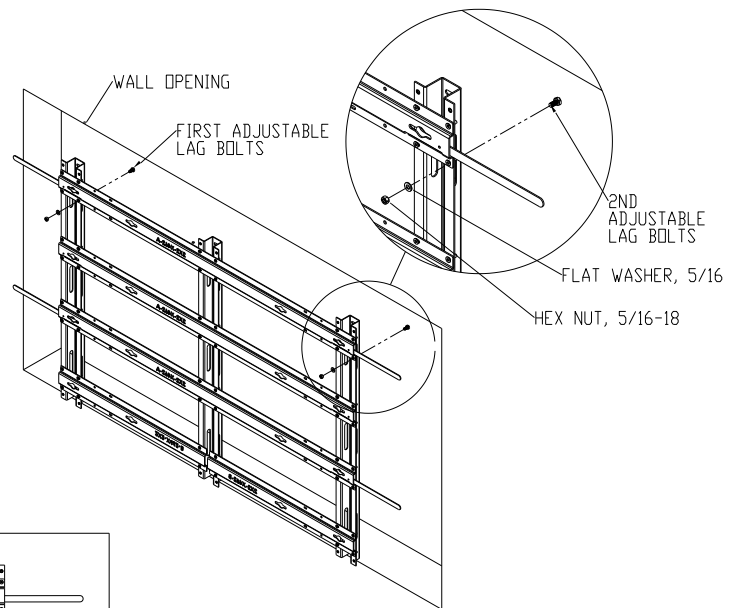


Figure 2

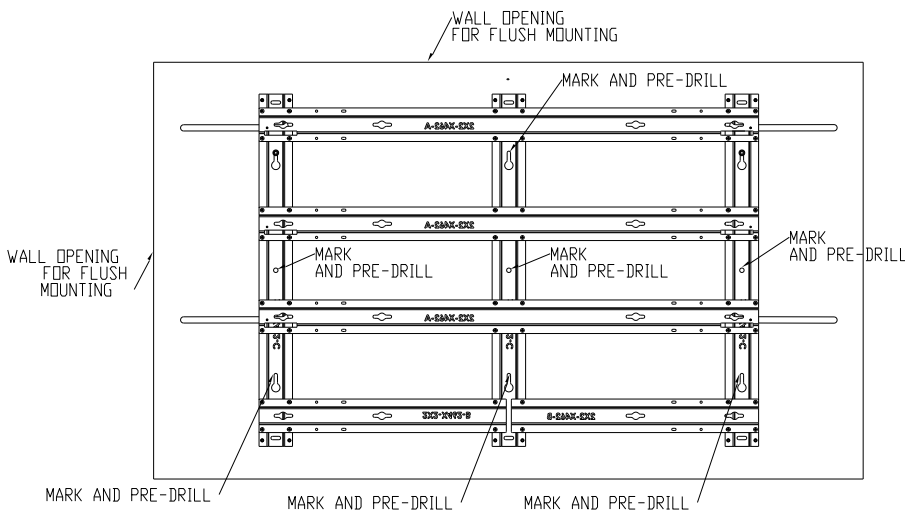


Figure 3

Step 3:

Mark the location for the other adjustable lag bolts, one upper center keyhole, three bottom keyholes slots and three center middle holes (Figure 3).

Step 4:

Remove the two nuts and washer securing the frame to the wall and place the frame back on the floor. Pre-drill all the marked locations using 3/16" drill bit then install the adjustable lag bolts (Figure 3 and 4).

Step 5:

Re-place the frame on the wall then secure using the provided hex nut and flat washer. Hand tighten hex nut only (Figure 4).

Step 6:

Using a 4 or 5 feet long level plum the frame by adjusting the adjustable lag bolts on the vertical channels counter clockwise to pull the frame forward. Use the provided adjustment wrench to rotate the adjustable lag bolts. Use the level or straight edge to make the H-slat horizontally straight by adjusting the adjustable lag bolt closest to the H-slat (Figure 5).

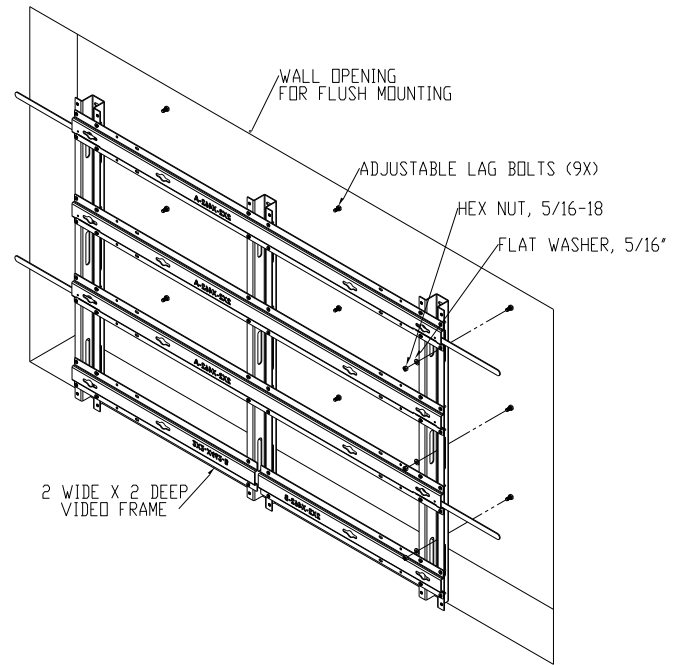


Figure 4

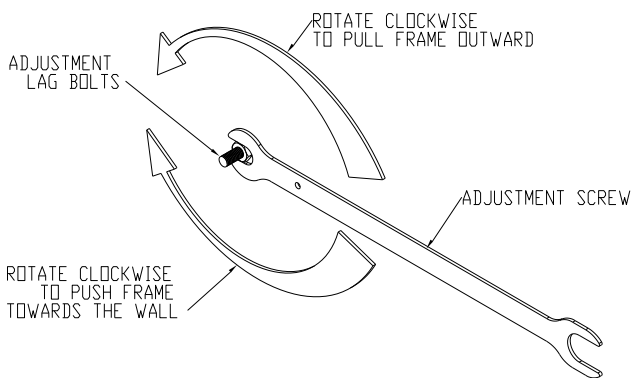


Figure 5

Step 7:

Once the frame is plumbed and level tighten the hex nuts permanently.

Step 8: Install Brackets to Media Player

Attach the media player brackets to the sides of the media player using its existing side screws. The feet of the media player must be against the wall (Figure 6).

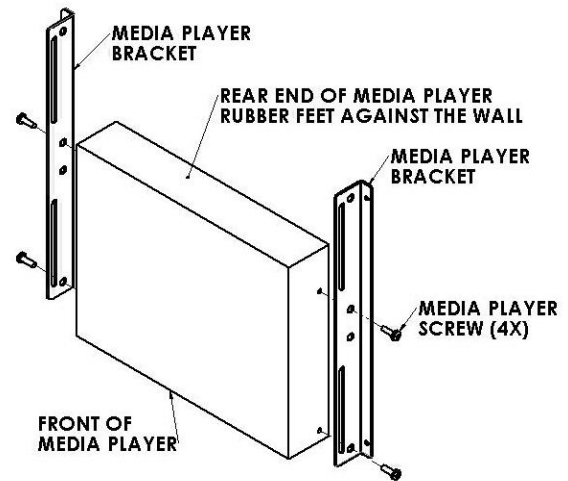


Figure 6

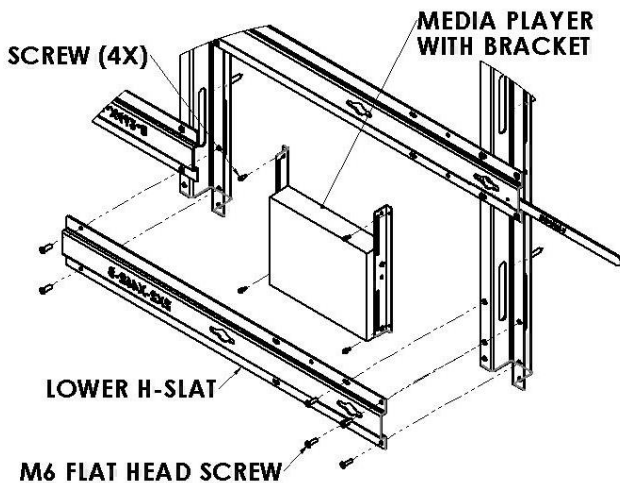


Figure 7

Step 9: Install Media Player

Choose and remove the bottom left or right lower H-slat frame by unscrewing its flat head screws (Figure 7). Install the media player to the wall between the two vertical channels using the

appropriate fasteners through the media player's brackets (Figure 7). Re-install the bottom lower H-slat.

Step 10: M6 threaded stand-off buttons to LCD monitors

Thread four M6 threaded stand-off-buttons into the outer VESA mounting holes at the back of each monitor (Figure 8).

Step 11: Install Monitors to the Left Column

Starting with the upper left monitor, connect power and signal wires to each monitor. Lift up locking arms on the left side of the frame. Align the four stand-off buttons with the four large slots in the H-slats then slide the monitor from left to right until it stops then pull down the locking arm to lock into place (Figure 9). Repeat step 11 for the lower monitors.

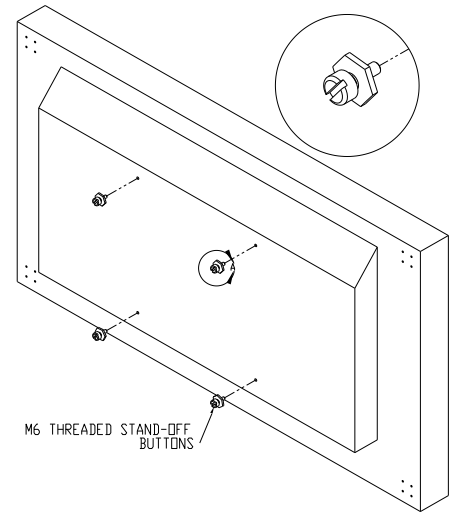


Figure 8

Step 12: Note on alignment:

While installing monitors, check for front and side alignment of the monitors. The surfaces of all monitors must be aligned and flush to each other. If one or more screens are tilted more than others use the adjustment bracket to reach the hex portion of the M6 threaded buttons at the rear of the monitor and rotate counter clockwise to pull the front of the monitor forward or rotate clockwise to push it back ward. If access to the rear is not accessible remove the screen(s) and, depending whether the monitor needs to be tilted forward or backward rotate the buttons using the adjustment wrench or a flat head screw driver (Figure 10). Reinstall and recheck surface alignments. Repeat where necessary.

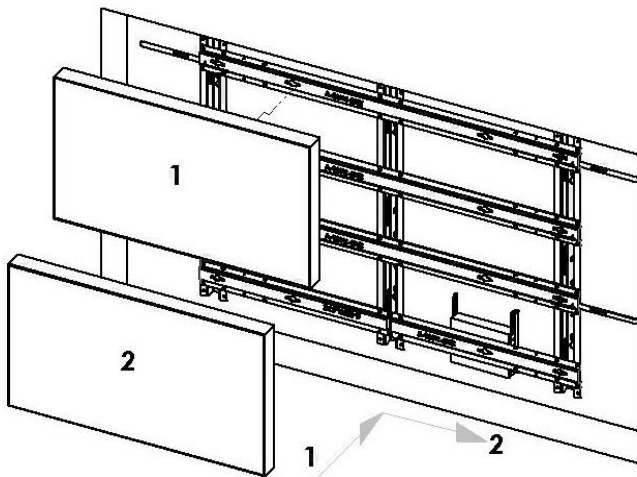


Figure 9

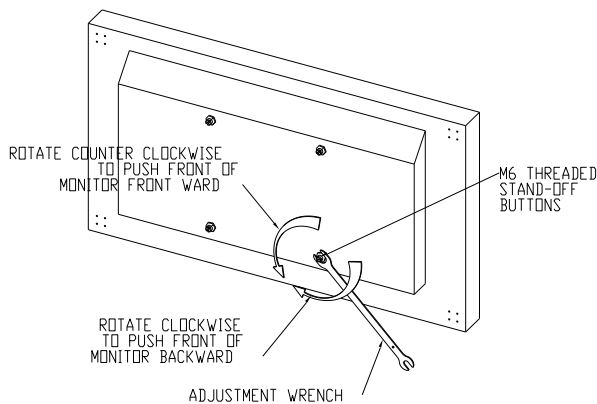


Figure 10

Step 13: Install Right Column Monitors

Starting with the upper right monitor, connect power and signal wires to each monitor. Lift up the locking arms on the right side of the frame. Align the four stand-off buttons with the four large slots in the H-slats then slide the monitor from right to left until it stops then pull down the locking arm to lock into place

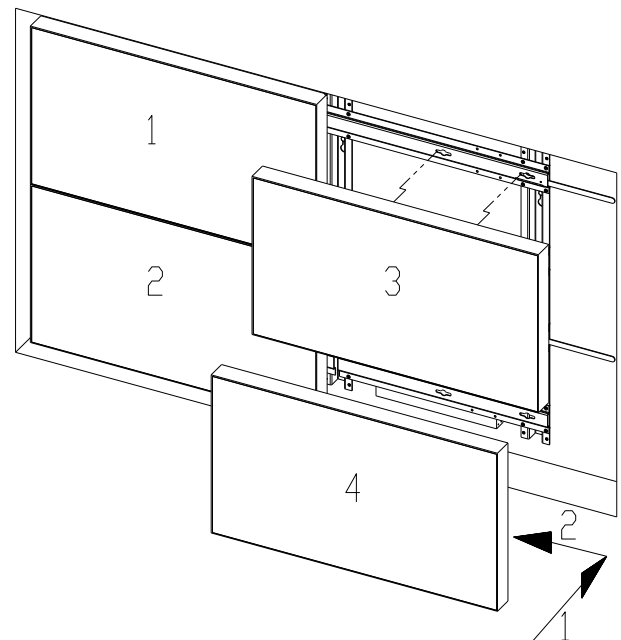


Figure 11

(Figure 11). Repeat step 12 for the lower monitors. Check for front and side alignments. **Refer to Step 12 for front alignment process.**

Servicing Tips

Right Column Monitor Removal:

Reach fingers between the wall and the right monitor and lift the locking arm (Figure 12). Slide and pull monitor to the right until its fittings disengage from the frame, then remove.

Left Column Monitor Removal:

Reach fingers between the wall and the left monitor and lift the locking arm. Slide and pull monitor to the left until its fittings disengage from the frame, then remove.

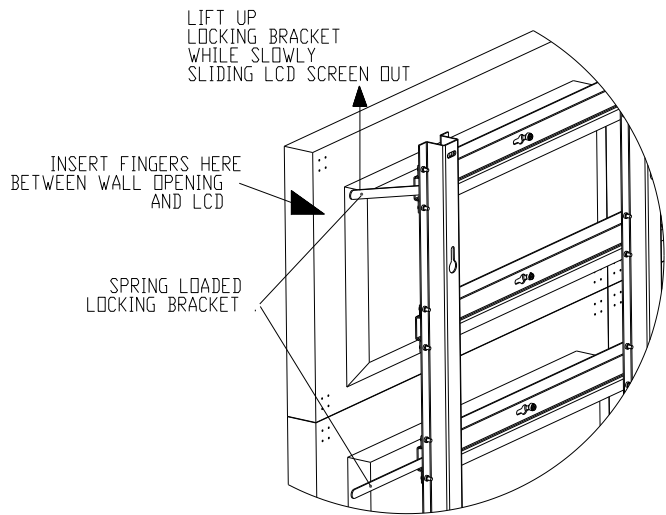


Figure 12