

2 wide x 2 deep Video Wall Display Installation Guide

This display kit mounts NEC X551UN LCD monitors in a 2 wide by 2 deep landscape configuration. The frame attaches to a wall and receives the LCD monitors by way of four machined fittings (per monitor) that thread into the monitor's VESA holes. These fittings then insert into the frame's channels. The monitor's fittings secure to the frame with locking arms that provide an easy way to remove the monitors for service. A removable panel provides access for media players behind the frame.

Important: Installing video displays is a serious endeavor that requires experienced professionals. **Improperly prepared walls and other structures as well as the equipment being installed can result in property damage, injury and/or liability to the installing contractor.** Do not proceed if any part of the installation is in doubt.

Caution: Due to the wide variety of structures, environments, materials and installation methods, the installing contractor must exercise good judgment in selecting the proper mounting area. The mounting structure must be capable of supporting at least 5 times the load of the installed equipment. Consult local building codes for further guidance.

Follow these instructions for the most efficient and safest mounting results.

Package Contents:

- 1 pc 2x2 Frame w/ locking arms bracket
- 16 pcs Phillips flat head screw, M6-25mm long
- 16 pcs Upper-lower stand-off button (black)
- 16 pcs Nylon washer spacers, .281Dx .74OD, white
- 1 pc Instruction sheet

Notes:

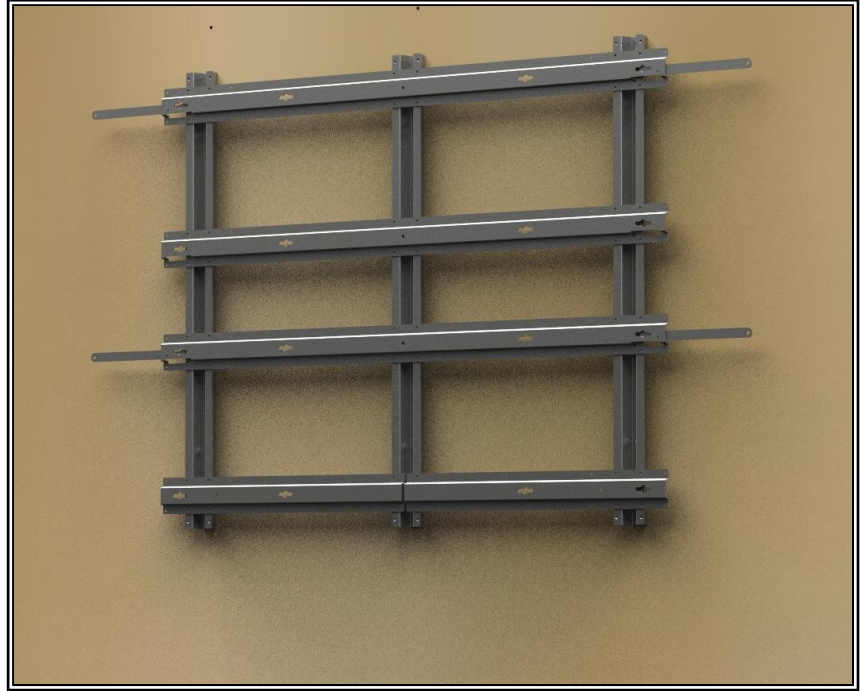
Hardware to mount frame to the wall are not included

Recommended:

Install at least 3/4" thick plywood to achieve flatness of the wall for installation and to provide an adequate support for the video display.

Note:

The assembled 2x2 frame weighs approximately 80 lb/36.4 Kg and requires at least two installers during lifting.



2 Wide x 2 Deep Video Wall Display (Surface Mounted)



2 Wide x 2 Deep Video Wall Display (Rear View)

Step 1: Mount Frame to Wall

Scribe a horizontal line on the wall showing the exact location of where the top edge of the upper left monitor will be. Measure down **2.1" (53.34mm)** from that line and scribe another horizontal line showing where the top edge of the mounting frame will be (**Figure 1**).

Scribe a vertical line showing where the left side of the upper monitor will be. Measure to the right and scribe another vertical line **15.5" (393.6mm)** to locate the left edge of the vertical mounting channel. (**Figure 1**).

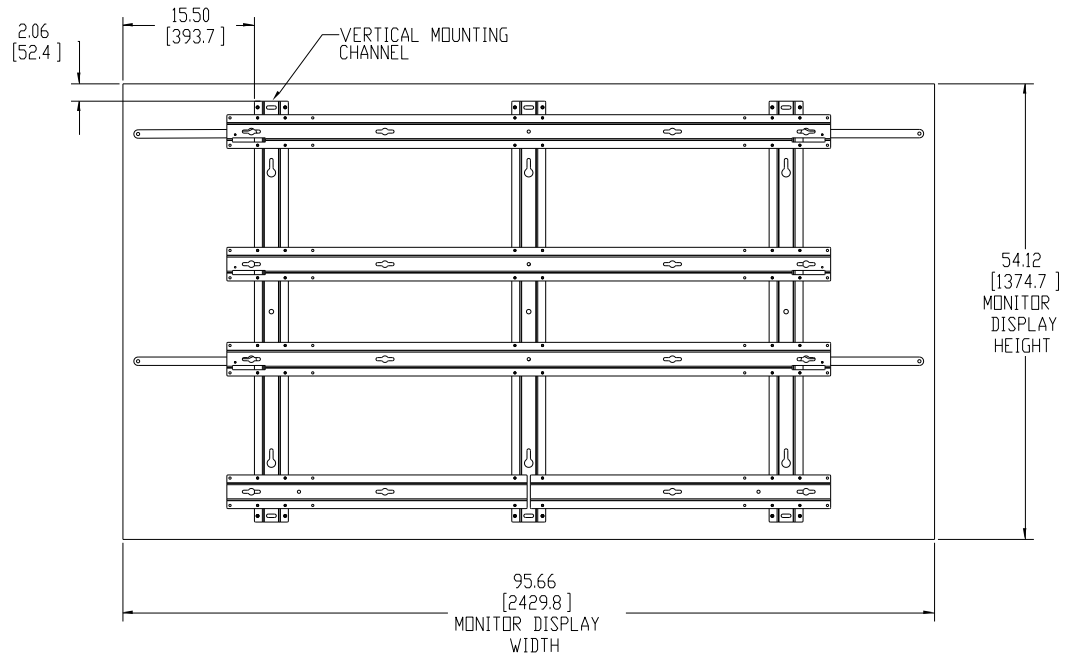


Figure 1

Using a level, place the frame up to the vertical and horizontal mounting frame scribe lines. Use the frame as a template to mark the six primary mounting key-holes.

Place the frame back on the floor and install wall fasteners, leaving at least 1/4" (7mm) of the bolt's shaft exposed (**Figure 2**).

Replace and level the mount on the wall and install additional wall fasteners to the top, lower horizontal slots and the center hole of the vertical mounting channel. Tighten wall fasteners permanently.

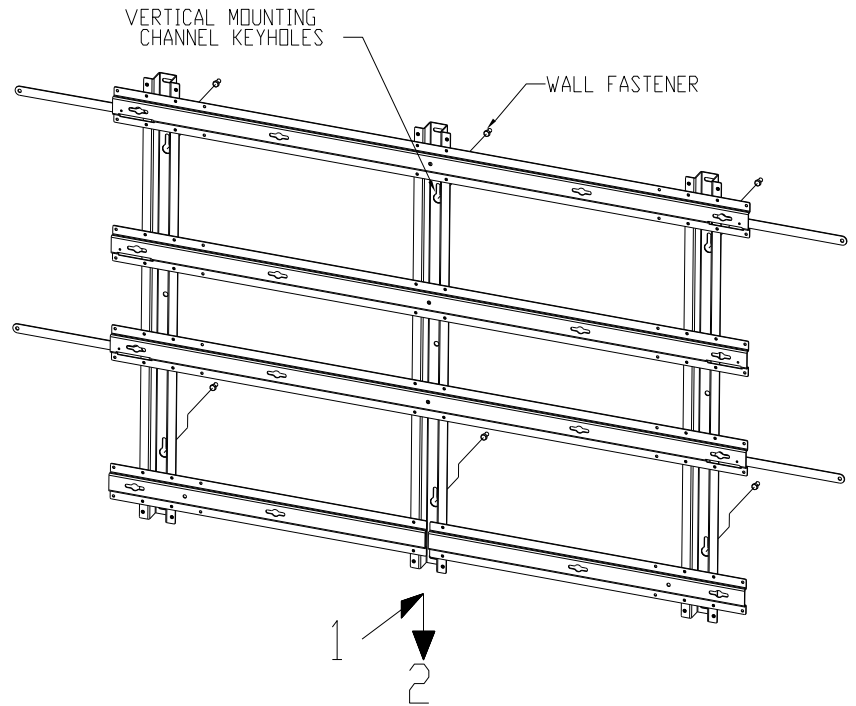


Figure 2

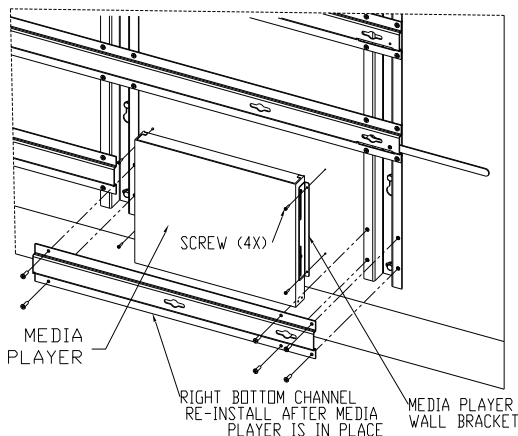


Figure 3

Step 2: Install Media Player (Optional)

Choose and remove the bottom left or right horizontal frame channel by unscrewing its flat head screws (**Figure 3**). Install the media player to the wall between the two vertical channels using

the appropriate fasteners through the media player's brackets (**Figure 3**). Re-install the bottom channel.

Step 3: Install upper stand-off buttons to monitors

Thread two stand-off-buttons (black) into the top VESA mounting holes in the back of each monitor using the included M6 flat head screws (**Figure 4**).

Step 4: Install lower stand-off buttons to monitors

Thread two stand-off-buttons (black) into the bottom mounting holes in the back of each monitor. Tighten permanently (**Figure 4**).

Important: *If the pitch of the monitor needs to be adjusted, add nylon spacers between the top (or bottom) stand-off buttons and the monitor.*

Step 5: Install Left Column Monitors

Starting with the upper left monitor, connect power and signal wires to each monitor then align its four stand-off buttons with the four large holes of the slots in the horizontal channels. Lift up locking arms then slide the monitor from left to right until it stops then pull down the locking arm to lock into place (**Figure 5**). Repeat step 5 for the lower monitors.

Note on alignment:

While installing monitors, check for front and side alignment of the monitors. The surfaces of all monitors must be aligned and flush to each other. If one or more screens are tilted more than others, remove the screen(s) and, depending whether the monitor needs to be tilted forward or backward, apply additional nylon washers as necessary between the monitor and its machined fittings buttons (Figure 5). Reinstall and recheck surface alignments. Repeat where necessary.

Step 6: Install Right Column Monitors

Starting with the upper right monitor, connect power and signal wires to each monitor then align its four stand-off buttons with the four large slots in the horizontal channels. Lift up locking arms then slide the monitor from right to left until it stops then pull down the locking arm to lock into place (**Figure 7**). Repeat step 6 for the lower monitors. Check for front and side alignments.

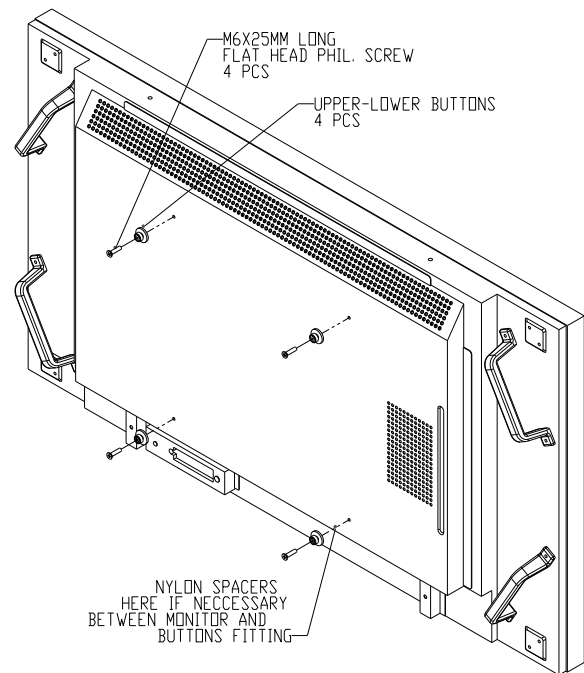


Figure 4

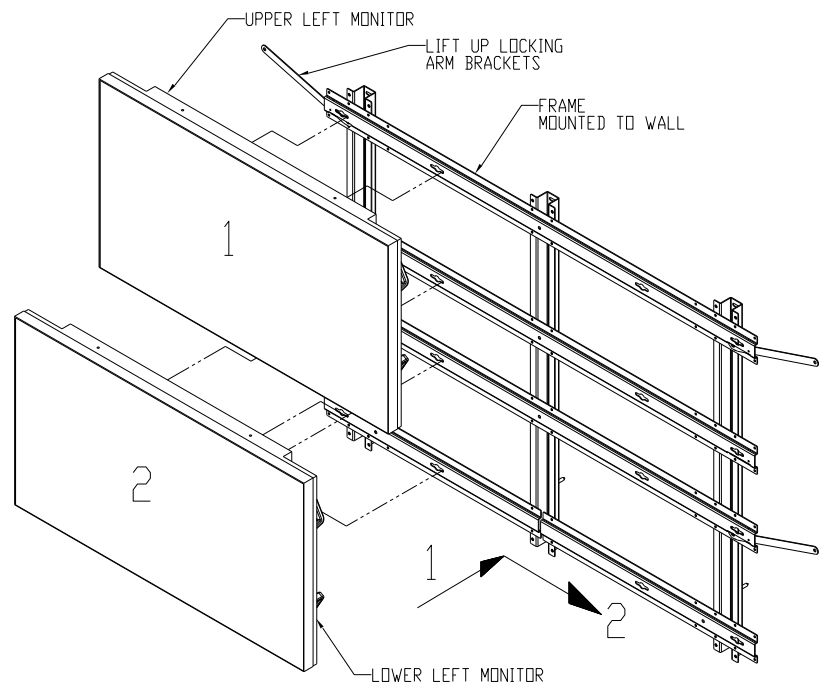


Figure 5

Servicing Tips

Right Column Monitor Removal:

Reach fingers between the wall and the right monitor and lift the locking arm (Figure 7). Slide and pull monitor to the right (about 3/4") until its button fittings disengage from the frame, then remove.

Left Column Monitor Removal:

Reach fingers between the wall and the left monitor and lift the locking arm. Slide and pull monitor to the left (about 3/4") until its button fittings disengage from the frame, then remove.

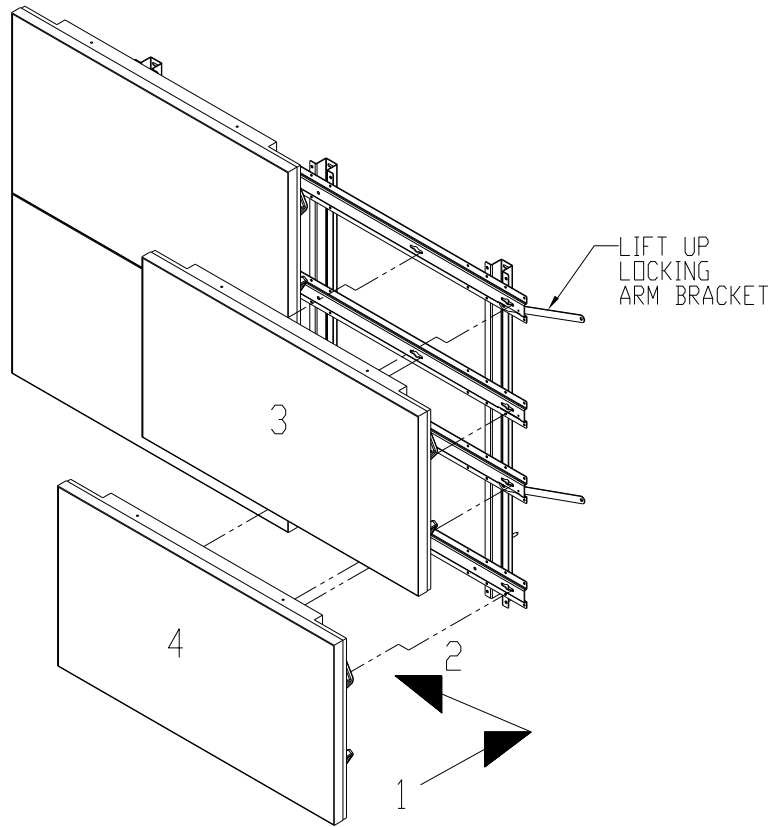


Figure 6

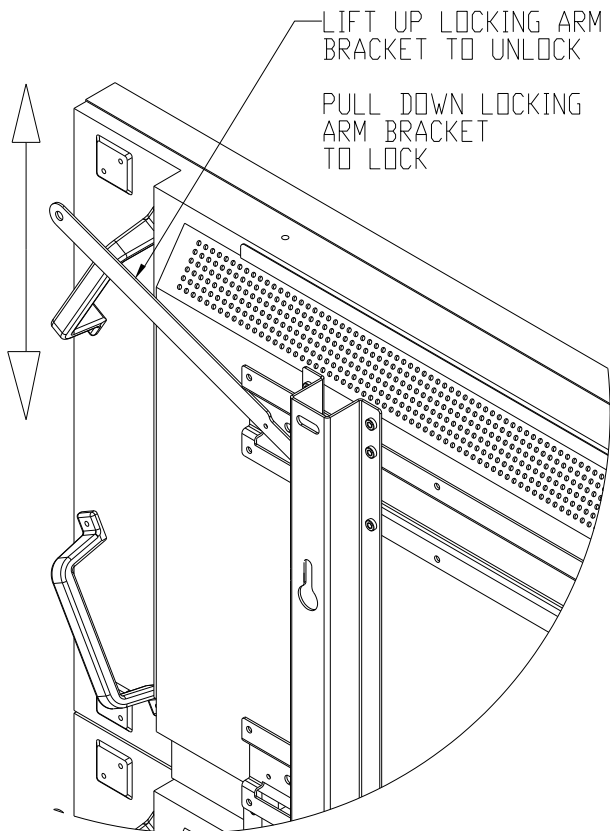


Figure 7