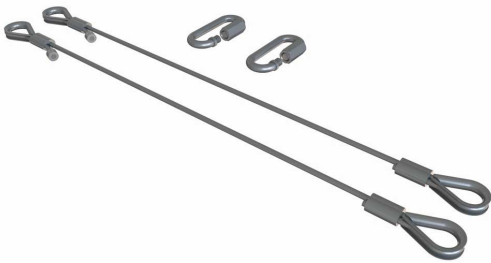


# Fixed Length Wire Rope Slings

# 840 lb WLL

ONE PAIR 3/16" WIRE ROPE ASSEMBLY KITS

CABLE KITS



Adaptive offers these high-strength pre-assembled wire rope assemblies in pairs for rigging trussing, lifting beams and other overhead applications where two load rated cables are required.

These off-the-shelf wire rope pairs are available in black and silver colors and come with 3/8" Quick Links and a tube of thread lock for permanent applications. See standard lengths and colors below.

## WIRE ROPE ASSEMBLIES IN PAIRS

Part Number	Length	Color
FC-010	10"/254mm	BLACK
FC-014	14"/356mm	BLACK
FC-018	18"/457mm	BLACK
FC-022	22"/559mm	BLACK
FC-030	30"/762mm	BLACK

Custom lengths are also available.

### STANDARD FEATURES:

- ▶ Wire rope assemblies come in pairs
- ▶ 3/8" Quick Links are included
- ▶ Close length tolerance lengths

### OPTIONAL ACCESSORIES:

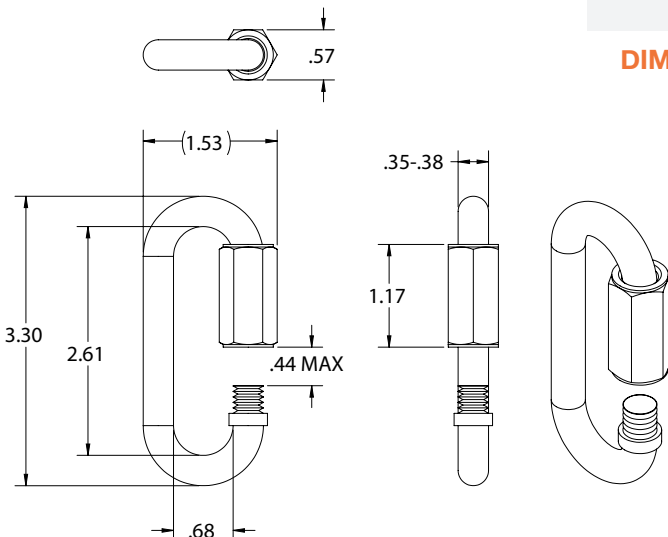
- ▶ See Eye Bolt, Eye Nut datasheet
- ▶ See Turnbuckle data sheets
- ▶ See CC-096 Adjustable Length Cable

### SPECIFICATIONS:

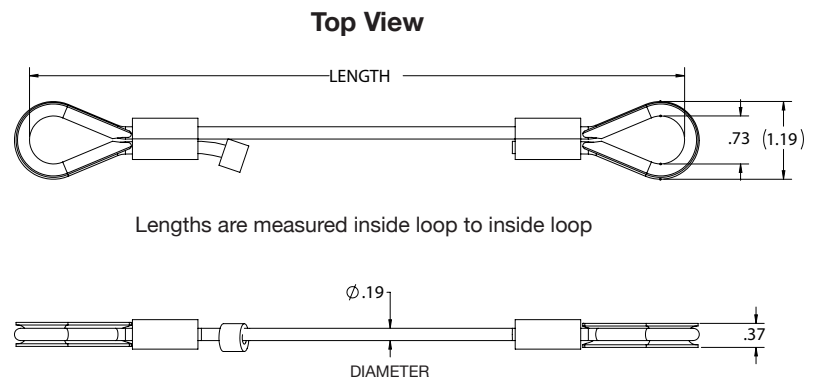
**Material:** Galvanized Wire Rope  
**Color:** Silver & Black  
**Diameter:** 3/16"  
**Safety Factor:** 5:1  
**WLL:** 840 lb / 382 Kg  
 each cable

### PACKAGED CONTENTS:

**2 pcs.** Fixed length wire rope assemblies  
**2 pcs.** 3/8" Quick Links  
**1 pc.** Thread Lock, .5 ml



### DIMENSIONS:



**Adaptive Technologies Group**  
 1635 E. Burnett Street | Signal Hill, CA 90755 USA  
 Ph: 562.424.1100 | Fax: 562.424.3520  
 www.adaptivetechologiesgroup.com



### ALWAYS INSTALL SAFETY CABLES

**WARNING:** Mounting and/or suspension of audio and video equipment requires experienced professionals. Improperly installed loudspeakers can result in property damage, personal injury and/or liability to the installing contractor.