

WP-16

STUD ADAPTER - FOR WOOD AND METAL WALL STUDS

WP-SERIES

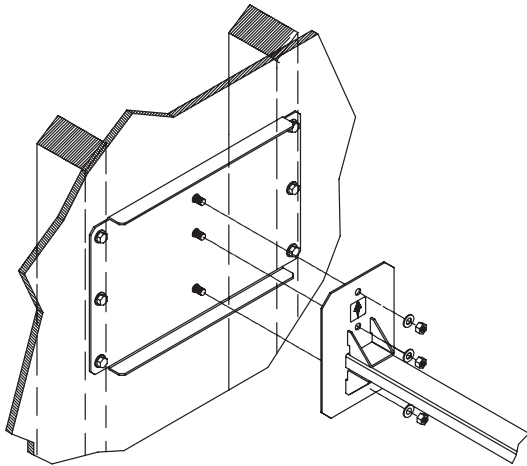


WALL STUD ADAPTER ON 16" CENTERS

The wall stud adapter plate is used to bridge two structural studs offering a secure surface mounting for specific Allen Products mounting designs including SocketMount, Steerables Wall Mount, Multimount 120 and more. It bridges both standard 16" wood and metal construction wall stud spacing.

The wall stud adapter plate is made from rugged alloy steel with two horizontal flanges for added rigidity. The assembly is finished with a baked-on powder coat paint.

The WP-16 may be mounted over dry wall, plaster and other wall materials, as long as it is anchored into the structure. It can even be embedded underneath the wall material for a clean appearance.



SPECIFICATIONS:

Material: Structural steel alloy

Finish: Powder Coat

Color: Black texture

Pack count: 1 unit/carton

Load rating: Meets the specifications of selected mount

Adapts to the following Allen designs:

- SocketMount™
- Steerables® Wall Mount
- MultiMount® 120
- Wall Arm SAS-100-20

PACKAGE CONTENTS:

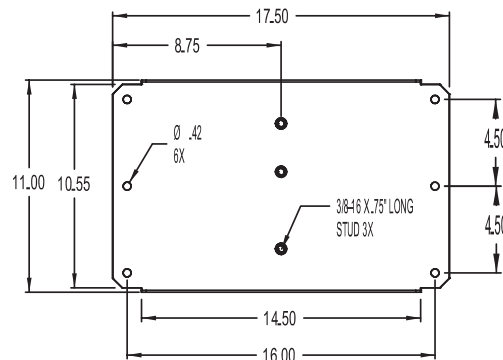
1 pc. Wall stud adapter plate

3 pcs. 3/8" Flat washers

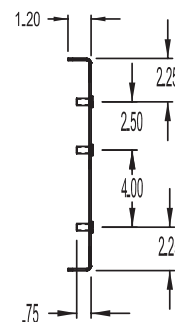
3 pcs. 3/8-16 Flange nut

Hardware for mounting to the wall structure is not included.

DIMENSIONS:



Front View



Side View



Rated for indoor use.

ALWAYS INSTALL SAFETY CABLES

WARNING: Mounting and/or suspension of audio and video equipment requires experienced professionals. Improperly installed loudspeakers can result in property damage, personal injury and/or liability to the installing contractor.